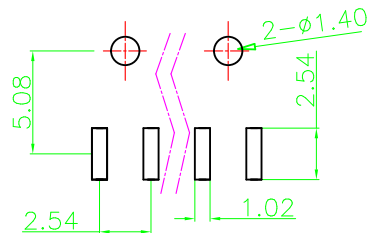


REV.	LOCAS.	DESCRIPTION	DATE	DRAWN
04	△	Change the cap specifications	10.10.13	zhou
05	△	Change the cap specifications	10.10.13	yang
06	△	變更折彎角度.	10.10.13	chen

Recommended P.C.Board

Hole Layout
(Tolerance:±0.05)

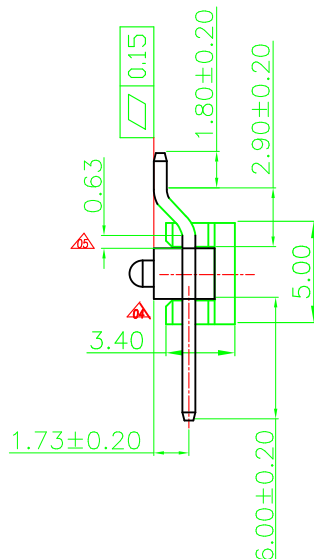
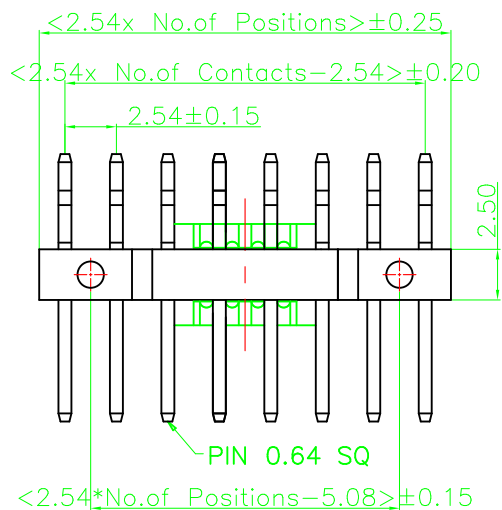
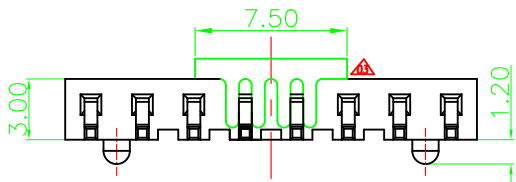


Specifications

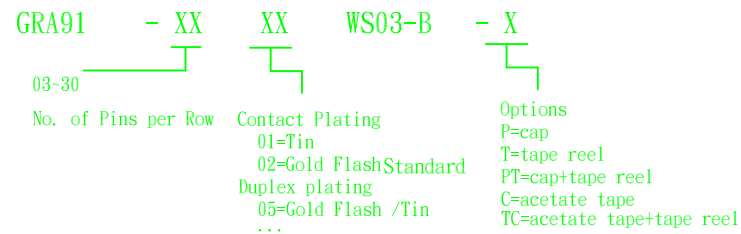
Current Rating: 3Amp
 Insulation Resistance: 1000MΩ Min.
 Dielectric Withstanding: 600V AC/DC
 Contact Resistance: 20mΩ Max.
 Operating Temperature: -40°C to +105°C

Materials

Contact Material: Brass
 Insulation Material: Polyester, UL 94V-0
 Nylon 6T
 All materials must be Geron materials



Ordering Information



Geron Electronic Co.,Ltd

GENERAL TOLERANCE

X.* ± 5°	X. ± 0.30
.X* ± 2°	.X ± 0.20
.XX* ± 1°	.XX ± 0.15
.XXX* ± 0.5°	.XXX ± 0.10

DESIGN: zhang	DATE: 2010.12.14
CHECKED:	DATE:
AUDITED:	DATE:
APPROVED:	DATE:

DWG. NO.	GRA91-WS03B
PART NO.	GRA91-XX-XX-WS03-B-X

TITLE:
 2.54 PIN HEADER
 SINGLE ROW ENTRY SIDE
 SMT TYPE

REV.	UNIT.	SCALE.	PAGE.
06	mm	3:1	1/1

