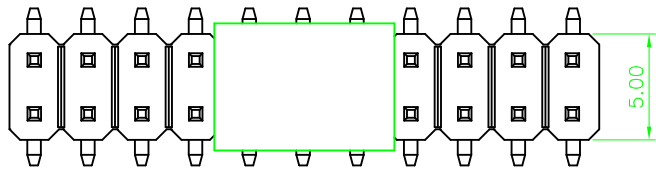


REV.	LOCAS.	DESCRIPTION	DATE	DRAWN
A	NEW	INITIAL RELEASE.	2010.5.9	許承佑



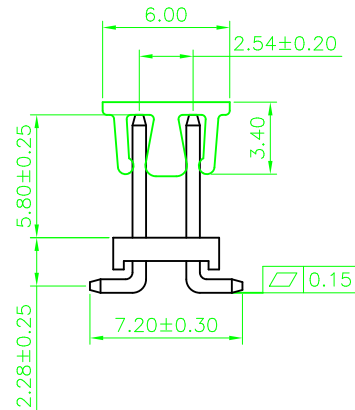
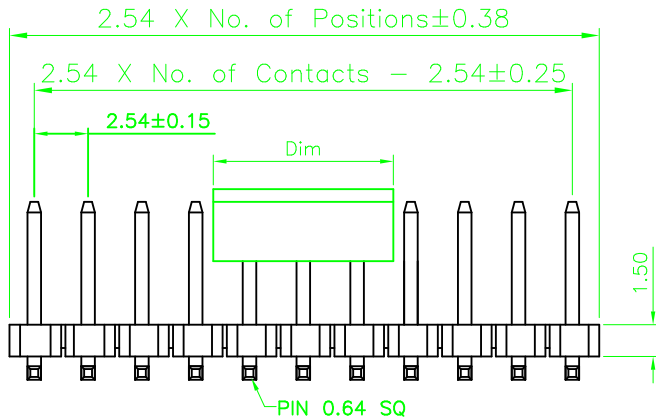
Dim	NOTE
5.00mm	03~08Pin
8.50mm	09~40Pin

### Specifications

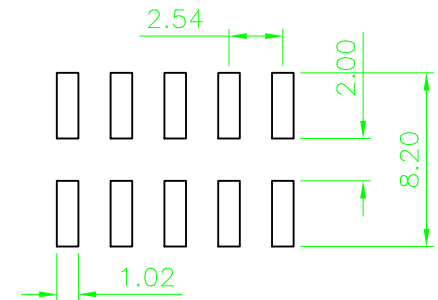
Current Rating: 3Amp  
 Insulation Resistance: 1000MΩ Min.  
 Dielectric Withstanding: 600VAC  
 Contact Resistance: 20mΩ Max.  
 Operating Temperature: -40°C to +105°C

### Materials

Contact Material: Brass  
 Insulator Material: Polyester, UL94V-0  
 Nylon 6T  
 All materials must be Geron materials



### Recommended P.C.Board Layout



### Ordering Information

GRA92 - XX      XX ZS008 - X

No. of Pins per Row      Contact Plating      Options  
 02-40      01=Tin      P=cap  
                  02=Gold Flash      T=tape reel  
                  Duplex plating      PT=cap+tape reel  
                  05=Gold flash/tin  
                  ...

**Geron Electronic Co.,Ltd**

#### GENERAL TOLERANCE

X.* ± 5.0°	X. ± 0.30
.X* ± 3.0°	.X ± 0.25
.XX* ± 2.0°	.XX ± 0.15
.XXX* ± 1.0°	.XXX ± 0.10

DESIGN:	zhang	DATE:	2010..5.9
CHECKED:		DATE:	
AUDITED:		DATE:	
APPROVED:		DATE:	

DWG. NO.	GRA92-ZS008
PART NO.	GRA92-XX-XX-ZS008-X

TITLE:  
 2.54 PIN HEADER  
 DUAL ROW SMT TYPE  
 BASE 1.50H

REV.	UNIT.	SCALE.	PAGE.
A	mm	3:1	1/1

