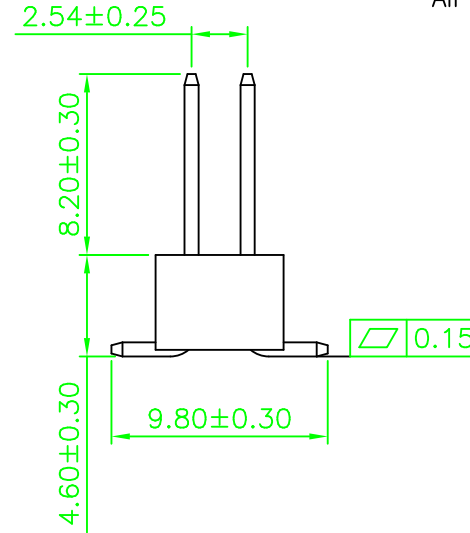
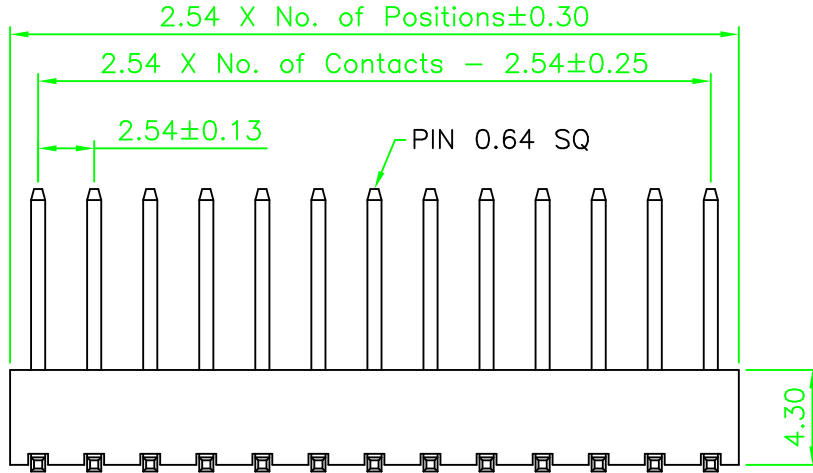
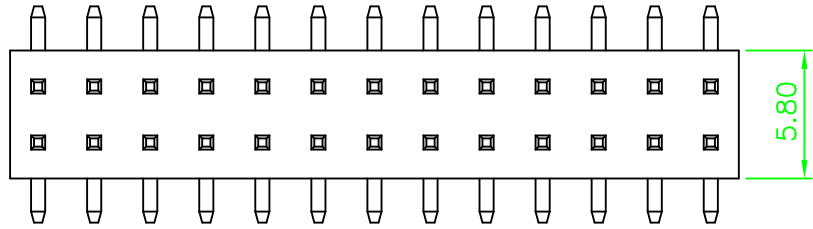


REV.	LOCAS.	DESCRIPTION	DATE	DRAWN
A	NEW	INITIAL RELEASE.	2010.10.05	許承佑



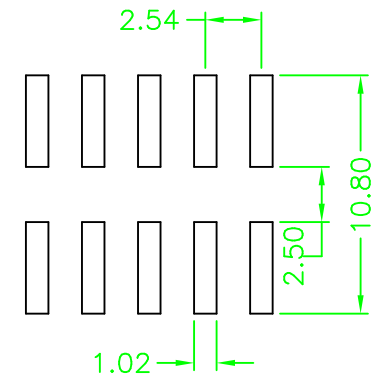
### Specifications

Current Rating: 3Amp  
 Insulation Resistance: 1000MΩ Min.  
 Dielectric Withstanding: 600V AC  
 Contact Resistance: 20mΩ Max.  
 Operating Temperature: -40°C to +105°C

### Materials

Contact Material: Brass  
 Insulation Material: Polyester, UL 94V-0  
 Nylon 6T  
 All materials must be Gerber materials

### Recommended P.C.Board Layout



### Ordering Information

GRA92 - XX XX ZS07

No. of Pins per Row  
02-40

Contact Plating  
 01=Tin  
 02=Gold Flash  
 Duplex plating  
 05=Gold Flash /Tin  
 ...

GERON ELECTRONIC CO., LTD

DESIGN: DATE: 2007.07.31  
 CHECKED: DATE:  
 AUDITED: DATE:  
 APPROVED: DATE:

DWG. NO. GRA92-ZS07  
 PART NO. GRA92-XX-XX-ZS07

TITLE. 2.54 PIN HEADER  
 DUAL ROWS SMT TYPE  
 BASE 4.30H

REV.	UNIT.	SCALE.	PAGE.	
A	mm	2:1	1/1	