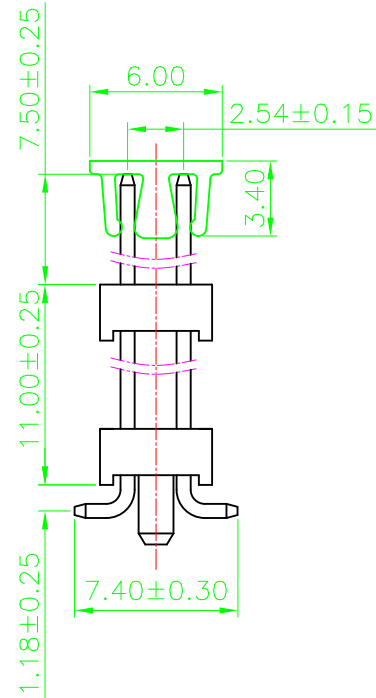
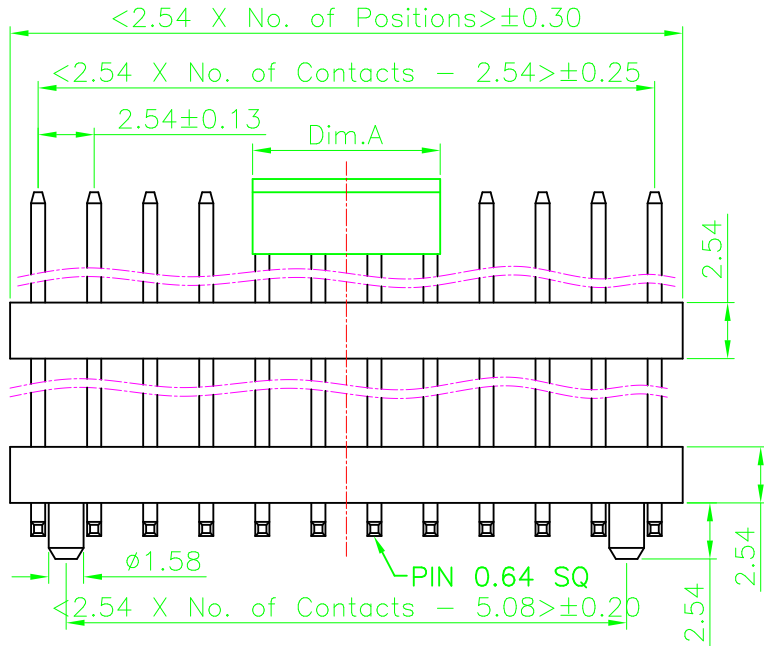
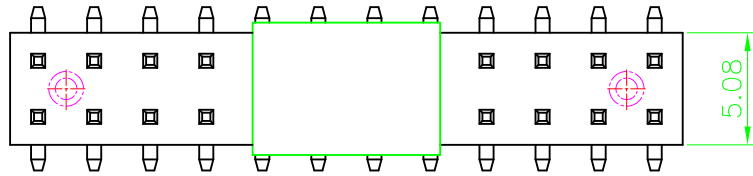


REV.	LOCAS.	DESCRIPTION	DATE	DRAWN
A		INITIAL RELEASE.	2010.09.27	杨月



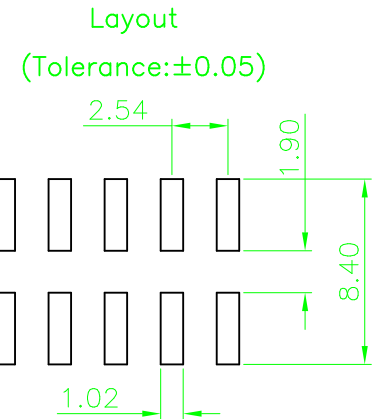
Specifications

Current Rating: 3Amp
 Insulation Resistance: 1000MΩ Min.
 Dielectric Withstanding: 600V AC/DC
 Contact Resistance: 20mΩ Max.
 Operating Temperature: -40°C to +105°C

Materials

Contact Material: Brass
 Insulation Material: Polyester, UL 94V-0
 Nylon 6T
 All materials must be Geron materials

Recommended P.C.Board



Ordering Information

GRA92 - XX XX ZS018 B2 X

No. of Pins per Row: 03~40
 Contact Plating: 01=Tin, 02=Gold Flash, Duplex Plating, 05=Gold Flash/Tin, ...
 Options: P=cap, T=tape reel, PT=cap+tape reel

Dim.A	NOTE
5.00mm	02~08pins
8.05mm	09~40pins

GERON ELECTRONIC CO.,LTD

GENERAL TOLERANCE

X.* ± 5°	X. ± 0.30
.X* ± 2°	.X ± 0.20
.XX* ± 1°	.XX ± 0.15
.XXX* ± 0.5°	.XXX ± 0.10

DESIGN: 张海滨	DATE: 2010.09.27
CHECKED:	DATE:
AUDITED:	DATE:
APPROVED:	DATE:

DWG. NO.	GRA92-ZS018-B2
PART NO.	GRA92-XX-XX-ZS018-B2-X

TITLE:
 2.54 PIN HEADER
 DUAL ROWS SMT TYPE
 BASE 2.54H

REV. A	UNIT. mm	SCALE. 1:1	PAGE. 1/1
--------	----------	------------	-----------