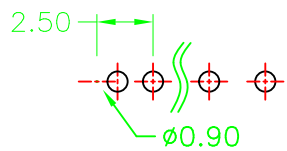
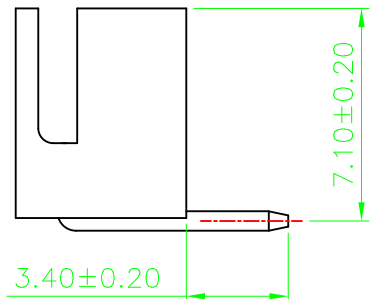
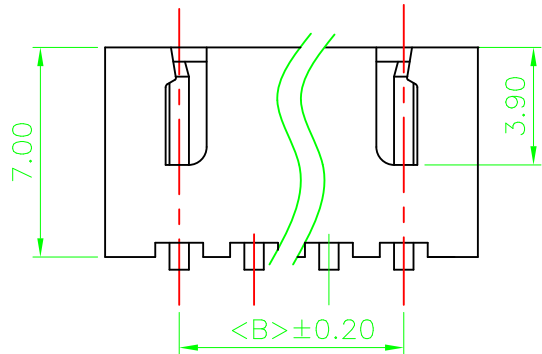
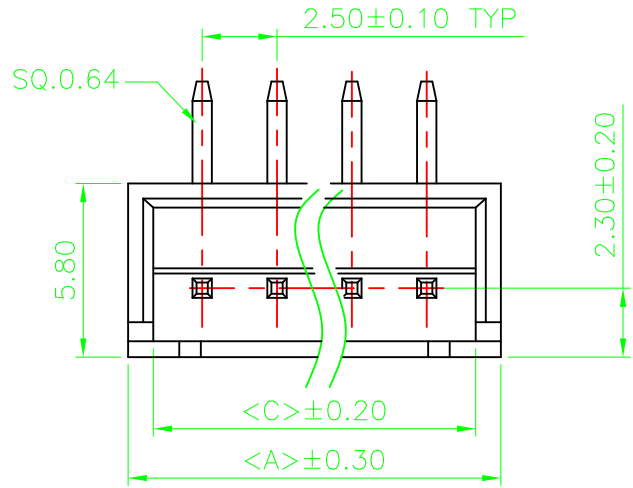


REV.	LOCAS.	DESCRIPTION	DATE	DRAWN
01		量產版	2010.08.21	王延賓



NOTES:
 Current Rating: 3A(AC,DC)
 Voltage Rating: 250V(AC,DC)
 Operating Temperature: -25°C to +80°C
 Contact Resistance: 20mΩ Max.
 Insulation Resistance: 1000MΩ Min.
 Withstanding Volatage: 800V AC/minute
 Base Material: PA 66, UL 94V-2

No. of PIN/ROW	Dimension Information		
	A	B	C
02	7.50	2.50	5.90
03	10.00	5.00	8.40
04	12.50	7.50	10.90
05	15.00	10.00	13.40
06	17.50	12.50	15.90
07	20.00	15.00	18.40
08	22.50	17.50	20.90
09	25.00	20.00	23.40
10	27.50	22.50	25.90
11	30.00	25.00	28.40
12	32.50	27.50	30.90
13	35.00	30.00	33.40
14	37.50	32.50	35.90
15	40.00	35.00	38.40

Ordering Information

GRC81 - XX XX W03 X

No. of Pins per Row 02-16 Contact Plating 01=Tin 02=Gold Flash COLOR A=BLACK D=WHITE

Recommended P.C.Board Hole Layout

Geron Electronic Co.,Ltd

GENERAL TOLERANCE	
X.* ± 4.0°	X. ± 0.30
.X* ± 3.0°	.X ± 0.20
.XX* ± 2.0°	.XX ± 0.15
.XXX* ± 1.0°	.XXX ± 0.10

DESIGN:	王延賓	DATE:	2010.8.21
CHECKED:		DATE:	
AUDITED:		DATE:	

DWG. NO.	GRC81-XX-XX-W03-X
PART NO.	GRC81-XX-XX-W03-X

TITLE:
 WAFER FOR PITCH
 2.50mm R/A DIP

REV.	01	UNIT.	mm	SCALE.	N/A	PAGE.	1/1
------	----	-------	----	--------	-----	-------	-----