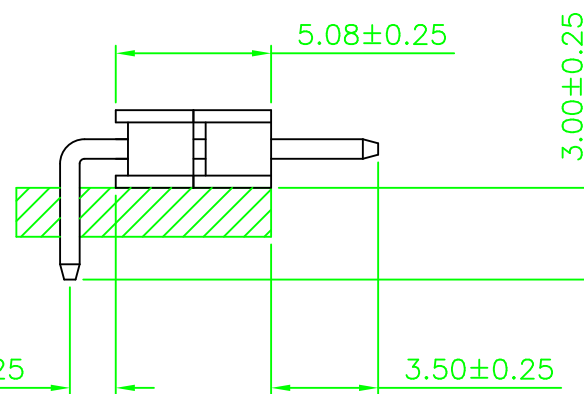
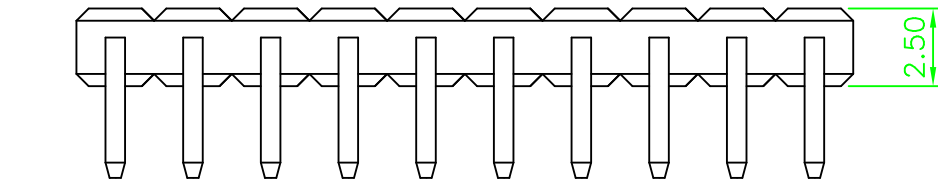
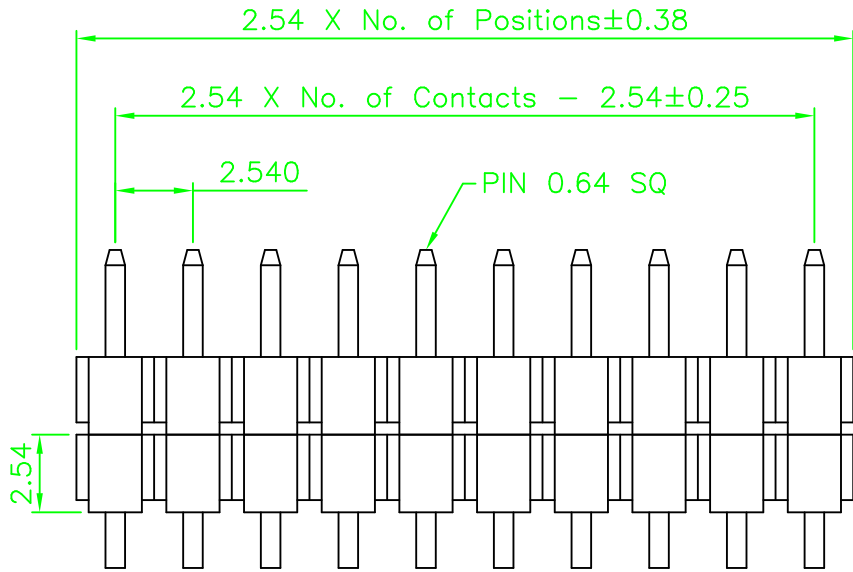


### Specifications

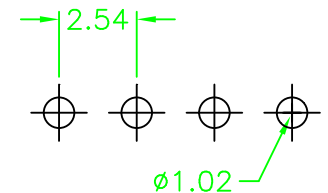
Current Rating: 3Amp  
 Insulation Resistance: 1000MΩ Min.  
 Dielectric Withstanding: 600V AC/DC  
 Contact Resistance: 20mΩ Max.  
 Operating Temperature: -40°C to +105°C

### Materials

Contact Material: Copper Alloy  
 Insulation Material: Polyester, UL 94V-0  
 P.B.T  
 All materials must be Geron materials



Recommended P.C.Board  
Hole Layout



### Ordering Information

GRA91 - XX XX W06 02

No. of Pins per Row  
02-40

Contact Plating  
 01=Tin  
 02=Gold Flash  
 Duplex plating  
 05=Gold Flash /Tin  
 ...

**Geron Electronic Co.,Ltd**

REV.	01	UNIT	mm	SCALE	4=1	
------	----	------	----	-------	-----	--

GENERAL TOLERANCE	
X. ± 5°	.X ° ±
X. ± 2°	.X ± 0.38
XX. ± 1°	.XX ± 0.25
XXX. ± 0.5°	.XXX ± 0.13

DRAWN	CHEN	DATE	14.12.1
CHECK		DATE	
APPROVE		DATE	

DWG. NO.	GRA91-W06-2
PART NO.	GRA91-XX-XX-A06-2

TITLE	2.54 PIN HEADER SINGLE ROW R/A TYPE BASE 2.50H
-------	--