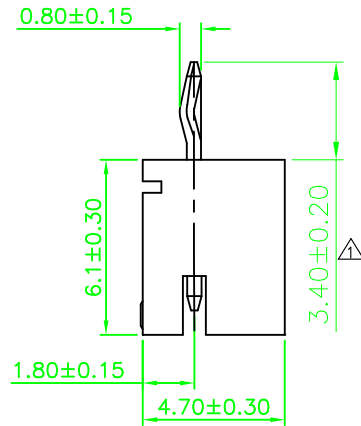
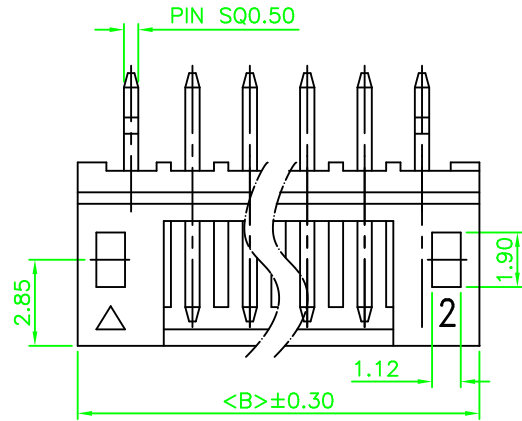
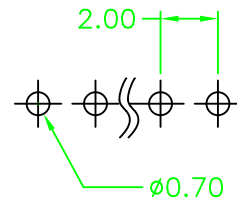
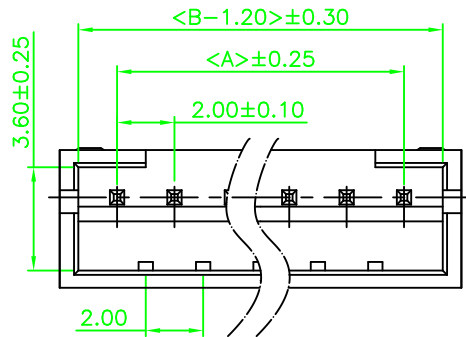


(打反"K"料號為：GRC71-Z02)

REV.	LOCAS.	DESCRIPTION	DATE	DRAWN
01		INITIAL RELEASE.	2010.11.8	ZHOU
02	△	取消打反K型態，留打正K型態，並取消L=3.10和L=3.00兩種規格。	2010.11.8	CHEN



(打正"K")



Recommended P.C.B Layout(Top Side)
P.C.B Thickness=1.20mm
(Tolerance=±0.05)

Specifications

Current Rating: 1Amp
Voltage Rating: 100V AC,DC
Insulation Resistance: 1000MΩ Min.
Dielectric Withstanding Voltage: 800V AC
Contact Resistance: 20mΩ Max.
Operating Temperature: -25°C to +85°C
Materials
Contact Material: Brass
Insulator Material: Nylon 66. UL 94V-0
All materials must be Geron materials

Ordering Information

GRC71 - XX XX Z01 X

No. of Pins per Row: 02-16
Contact Plating: 01=Tin, 02=Gold Flash,
COLOR: C=BLUE, D=WHITE,

No. of PIN/ROW	Dimension Information	
	A	B
02	2.00	6.00
03	4.00	8.00
04	6.00	10.00
05	8.00	12.00
06	10.00	14.00
07	12.00	16.00
08	14.00	18.00
09	16.00	20.00
10	18.00	22.00
11	20.00	24.00
12	22.00	26.00
13	24.00	28.00
14	26.00	30.00
15	28.00	32.00
16	30.00	34.00

GERON ELECTRONIC CO., LTD

GENERAL TOLERANCE

X.* ± 5.0*	X. ± 0.30
.X* ± 3.0*	.X ± 0.25
.XX* ± 2.0*	.XX ± 0.15
.XXX* ± 1.0*	.XXX ± 0.10

DESIGN:

DATE: 2010.11.8

DWG. NO.

GRC71-Z01

TITLE:

WAFER ROR PITCH
2.00 mm RIGHT ANGLE

CHECKED:

DATE: 2010.11.8

PART NO.

GRC71-XX-XX-Z01-X

AUDITED:

DATE: 2010.11.8

REV.	UNIT.	SCALE.	PAGE.
02	mm	1:1	1/1

(打正"K")