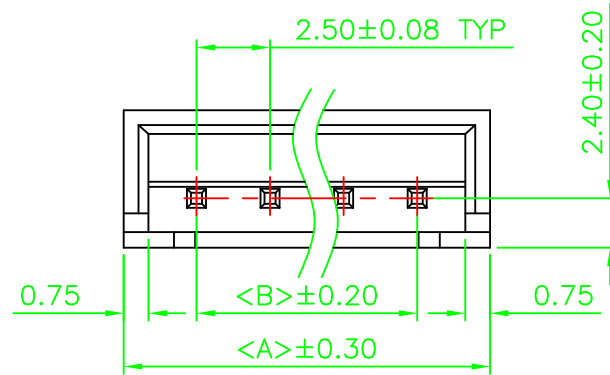
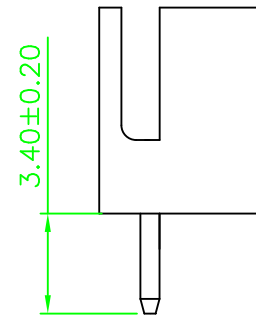
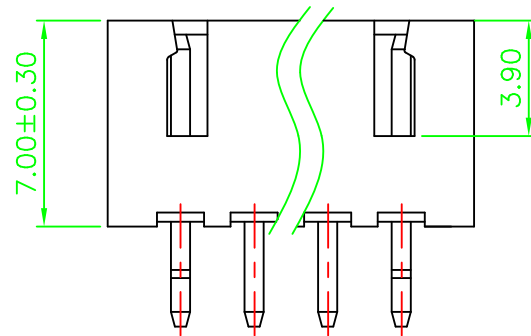
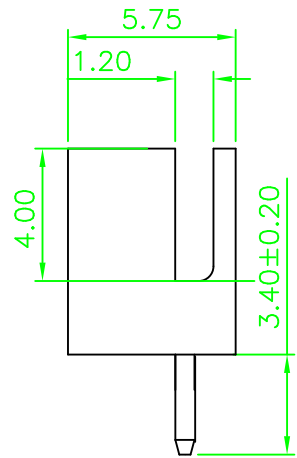


REV.	LOCAS.	DESCRIPTION	DATE	DRAWN
01		初版發行	2010.11.8	



NOTES:

Current Rating: 3A(AC,DC)
Voltage Rating: 250V(AC,DC)
Operating Temperature: -25°C to +80°C
Contact Resistance: 20mΩ Max.
Insulation Resistance: 1000MΩ Min.
Withstanding Volatage: 800V AC/minute
Base Material: PA 66, UL 94V-2



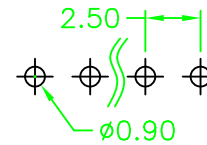
No. of PIN/ROW	Dimension Information	
	A	B
02	7.50	2.50
03	10.00	5.00
04	12.50	7.50
05	15.00	10.00
06	17.50	12.50
07	20.00	15.00
08	22.50	17.50
09	25.00	20.00
10	27.50	22.50
11	30.00	25.00
12	32.50	27.50
13	35.00	30.00
14	37.50	32.50
15	40.00	35.00
16	42.50	37.50

Ordering Information

GRC81 - XX XX Z01 X

No. of Pins per Row 02-16
Contact Plating 01=Tin 02=Gold Flash
COLOR A=BLACK D=WHITE

Recommended P.C.Board Hole Layout



GERON ELECTRONIC CO., LTD

GENERAL TOLERANCE

X.* ± 1.5°	X. ± 0.15
.X* ± 1.0°	.X ± 0.10
.XX* ± 0.5°	.XX ± 0.05
.XXX* ± 0.3°	.XXX ± 0.03

DESIGN:	DATE: 2010.11.8
CHECKED:	DATE:
AUDITED:	DATE:

DWG. NO.	GRC81-Z01
PART NO.	GRC81-XX-XX-Z01-X

TITLE:
**WAFER FOR PITCH
2.50mm STRAIGHT**

REV.	UNIT.	SCALE.	PAGE.
01	mm	N/A	1/1