

1 2 3 4 5 6 7 8 9

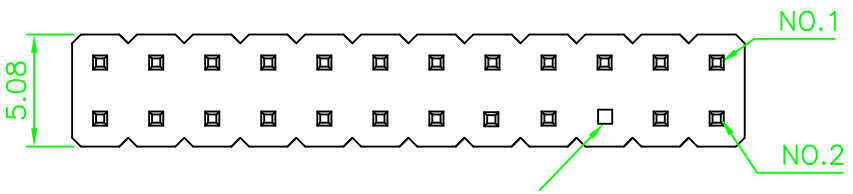
REV.	DESCRIPTION	DATE
△	add color code	PI HONG BIN 2010-07-22

Specifications
 Current Rating: 3Amp
 Insulation Resistance: 1000M Min.
 Dielectric Withstanding: 600V AC/DC
 Contact Resistance: 20m Max.
 Operating Temperature: -40°C to +105°C

Materials
 Contact Material: Copper Alloy
 Insulation Material: Polyester, UL 94V-0
 PA 6T
 All materials must be Geron materials

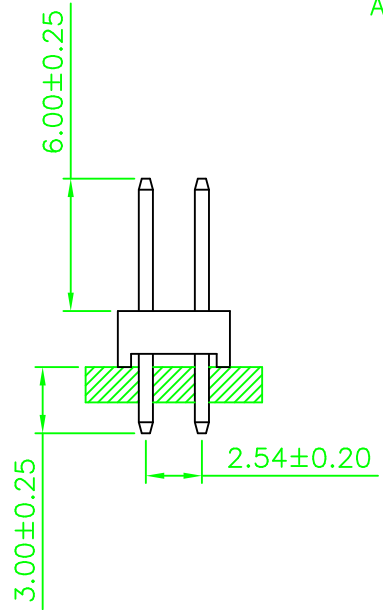
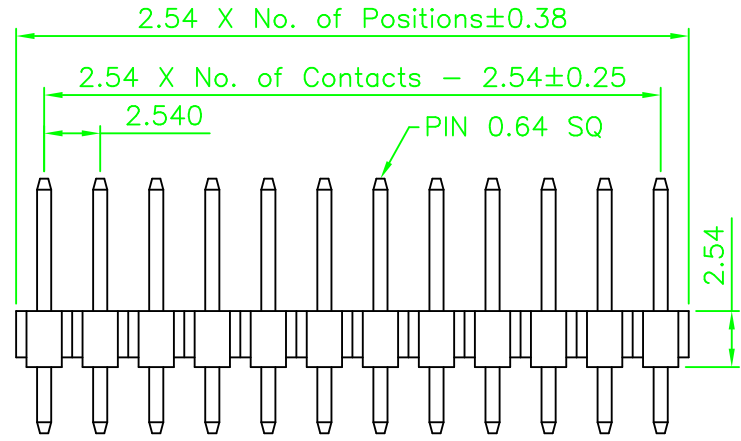
F

F

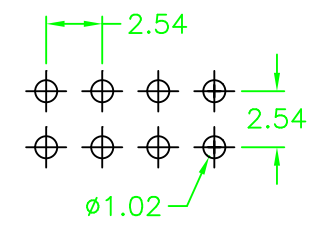


E

E



Recommended P.C.Board
 Hole Layout



Ordering Information

GRA92 - XX XX Z07 X

No. of Pins per Row: 05-40
 Contact Plating:
 01=Tin
 02=Gold Flash standard
 Duplex Plating
 05=Gold Flash/Tin
 ...
 A=BLACK
 D=WHITE
 F=YELLOW

A

A

GERONE ELECTRONIC CO.,LTD					GENERAL TOLERANCE X. ± X. .X ± .X .XX ± .XX .XXX ± 0.5		DESIGN: CHECKED: AUDITED: APPROVED:	DRAWN DATE: DATE: DATE:	DATE: DATE: DATE:	DWG. NO. DWG.NO. PART NO. PART.NO.	TITLE: TITLE1 TITLE2 TITLE3
---------------------------	--	--	--	--	---	--	--	----------------------------------	-------------------------	---	--------------------------------------

1 2 3 4 5 6 7 8 9