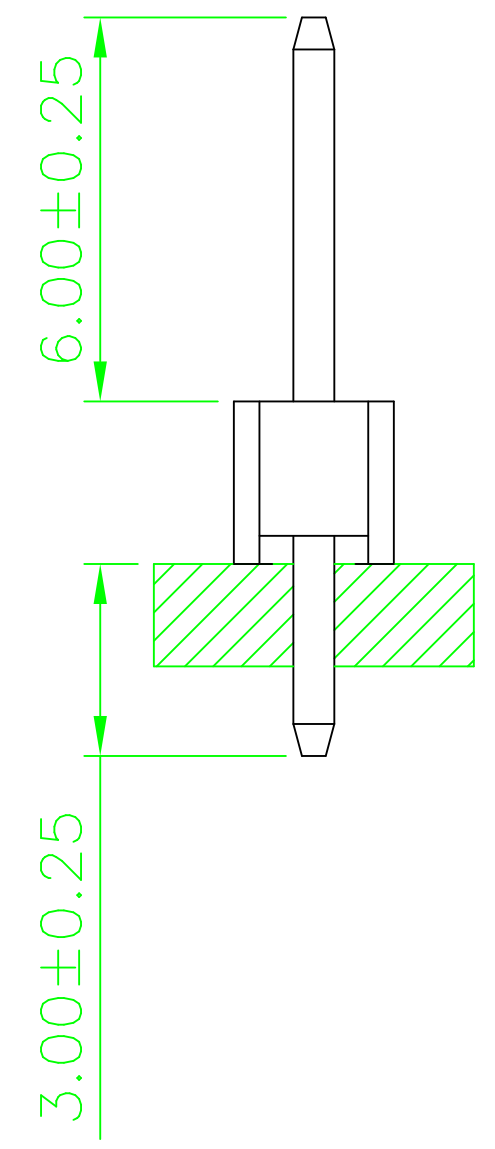
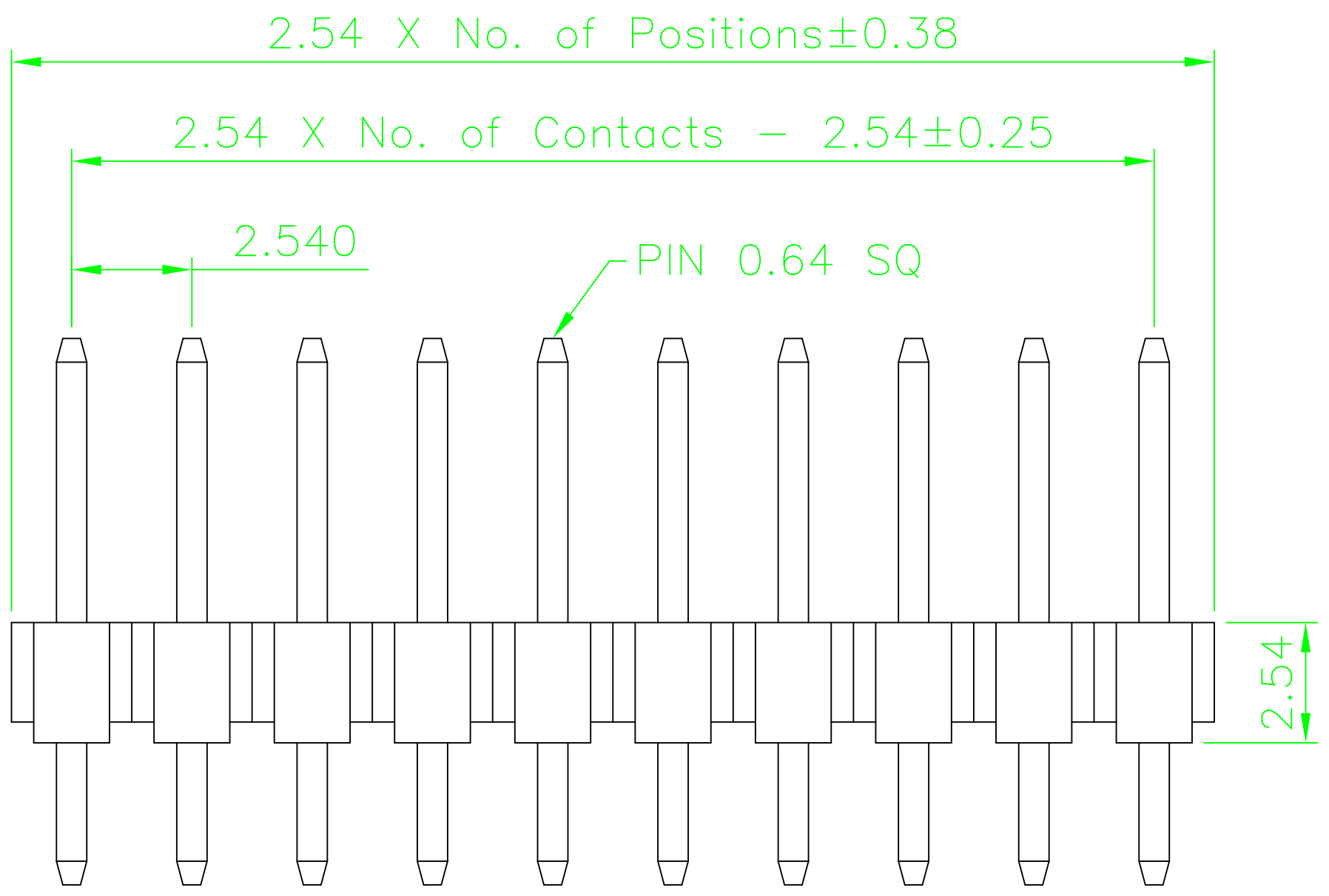
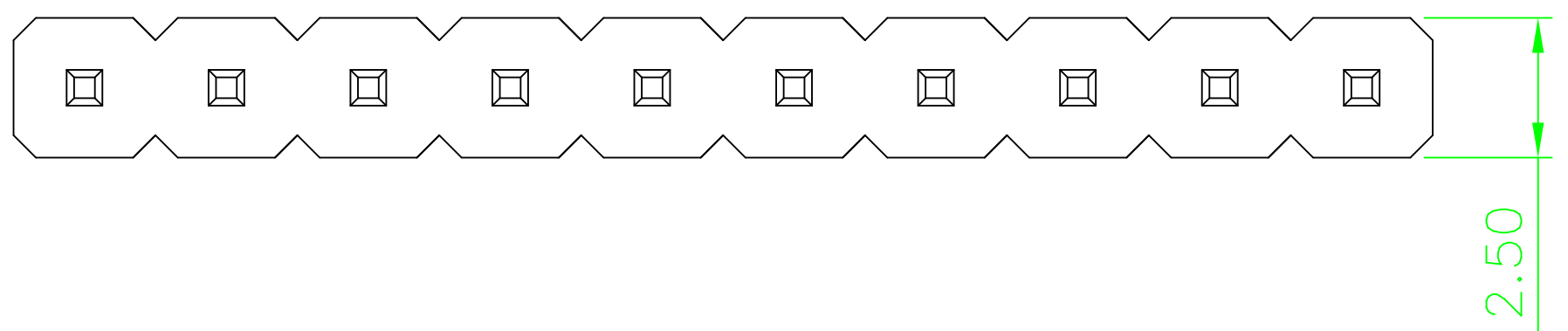


REV.	DESCRIPTION	DATE
02	add pin1	ZHOU 2010-07-22
03	add the color code	WU 2010-07-22



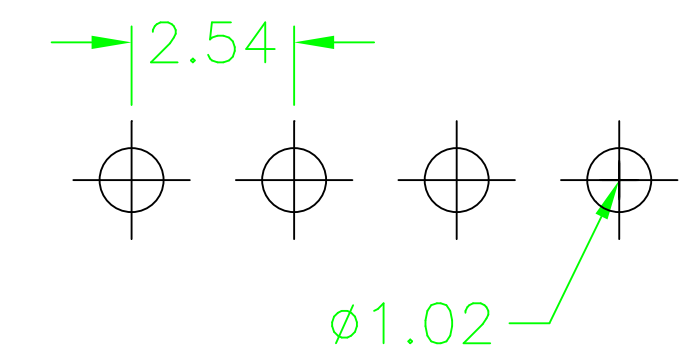
Specifications
 Current Rating: 3Amp
 Insulation Resistance: 1000MΩ Min.
 Dielectric Withstanding: 600V AC
 Contact Resistance: 20mΩ Max.
 Operating Temperature: -40°C to +105°C

Materials
 Contact Material: Copper Alloy
 Insulation Material: Polyester, UL 94V-0 P.B.T
 All materials must be Geron materials

Ordering Information



Recommended P.C.Board Hole Layout



GERON ELECTRONIC CO., LTD

GENERAL TOLERANCE		DESIGN:	DRAWN	DATE:	2010-07-22
X° ± X°	X. ± .X	CHECKED:	ZHOUYAN	DATE:	2010-07-22
.X° ± X.	.X ± .X	AUDITED:	ZHOU	DATE:	2010-07-22
.XX° ± XX.	.XX ± .XX	APPROVED:	WZY	DATE:	2010-07-22
.XXX° ± 0.5°	.XXX ± .XXX				

DWG. NO.	GRA91-Z001
PART NO.	GRA91-XX-XX-Z001

TITLE:
P/H2.54-PIN-HEADER180

REV.	REV.	UNIT.	UNIT	SCALE.	SCALE