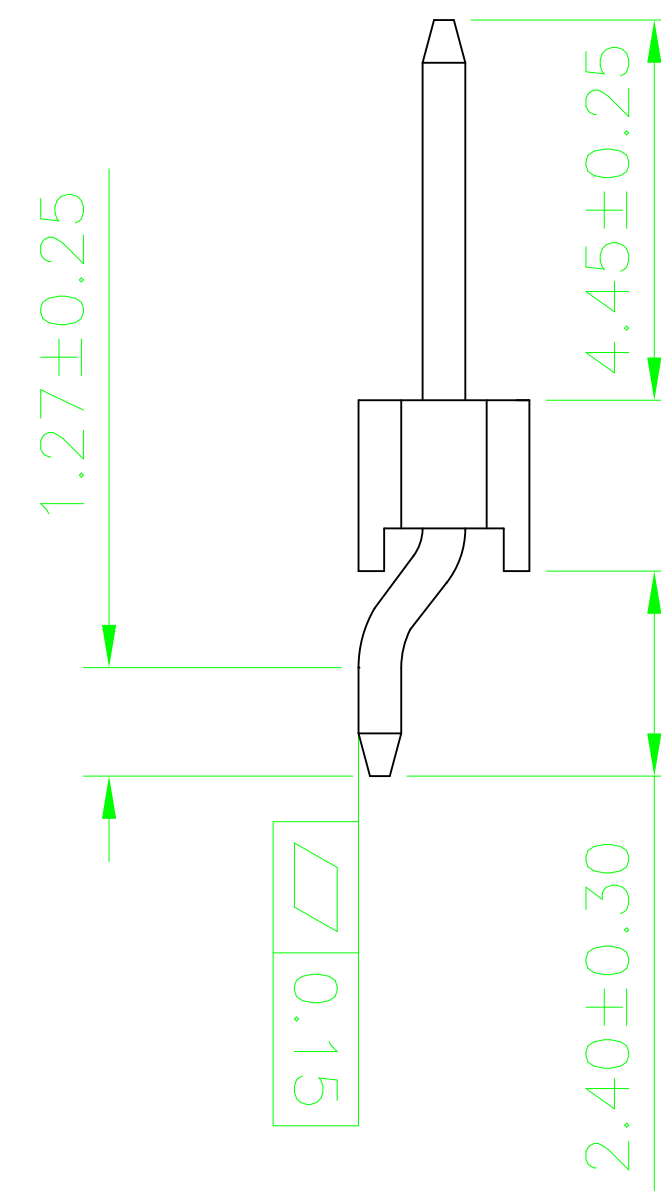
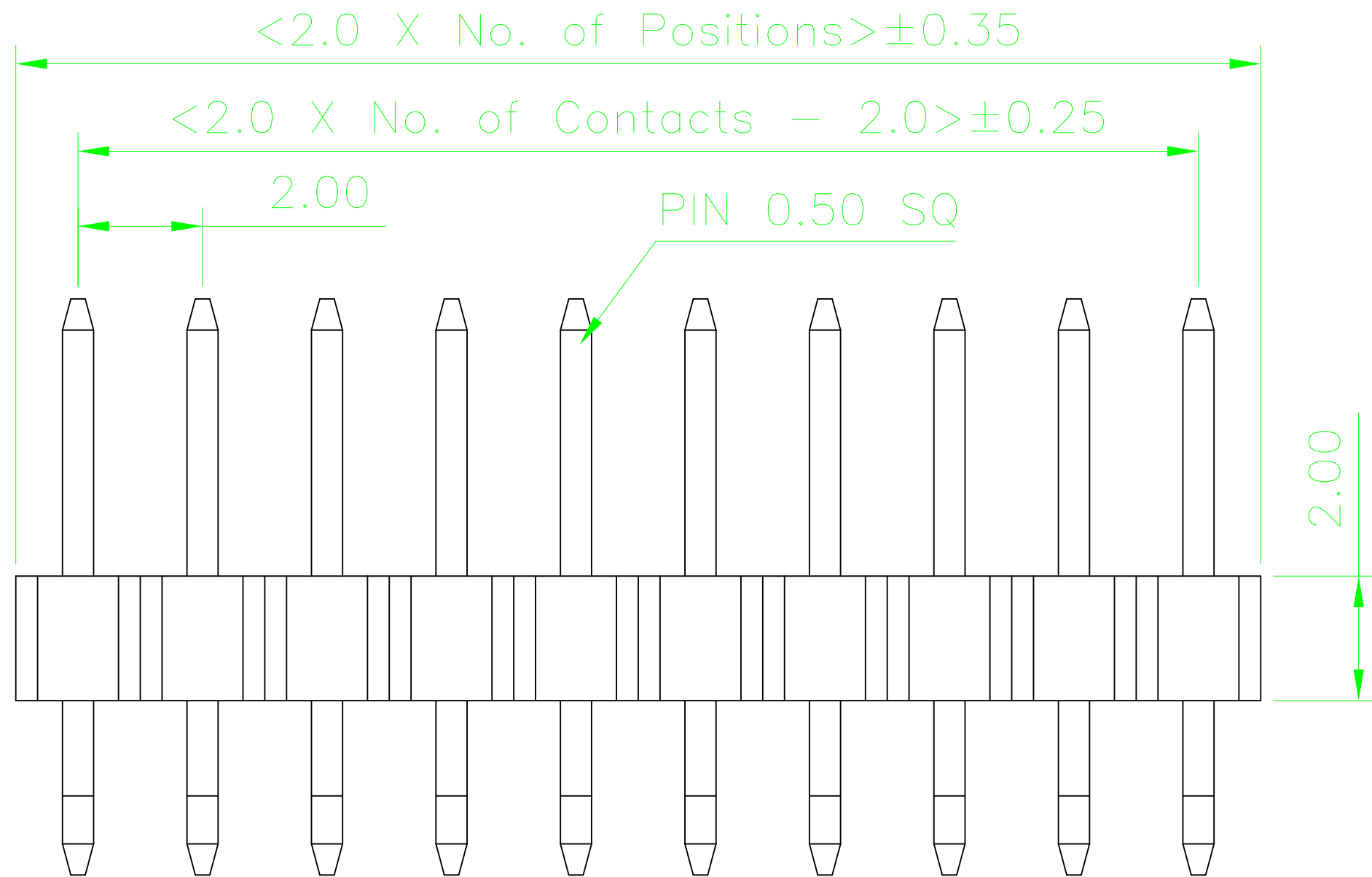
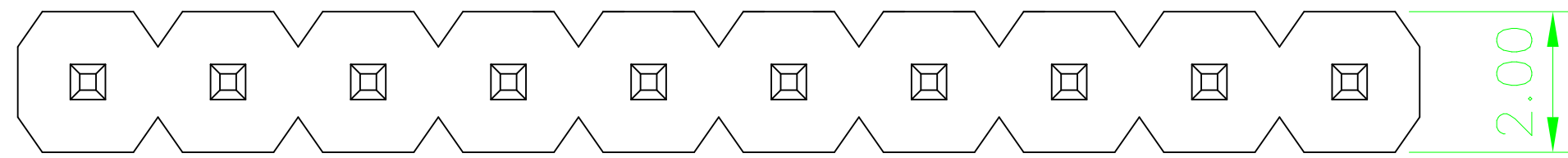


REV.	LOCAS.	DESCRIPTION	DATE	DRAWN
01		INITIAL RELEASE.	2010.10.18	ZHOU



Specifications

Current Rating: 2Amp
 Insulation Resistance: 1000MΩ Min.
 Dielectric Withstanding: 500V AC
 Contact Resistance: 20mΩ Max.
 Operating Temperature: -40°C to +105°C

Materials

Contact Material: Brass
 Insulation Material: Polyester, UL 94V-0
 LCP
 All materials must be Geron materials

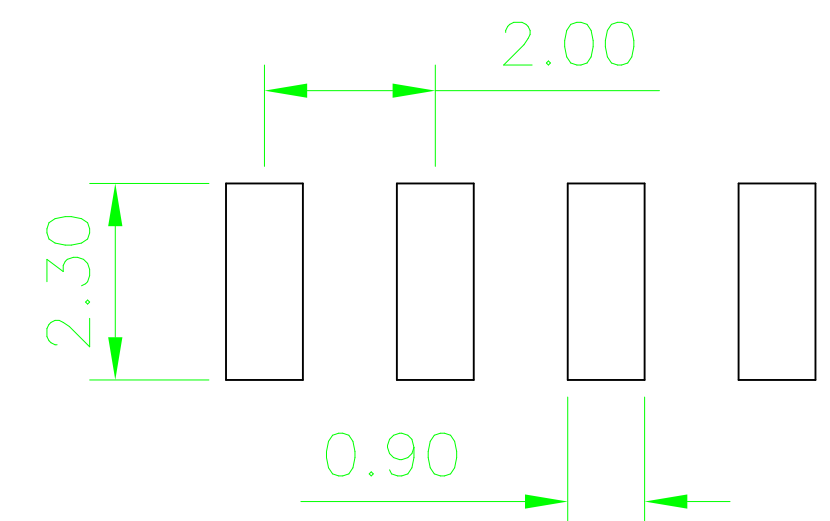
Ordering Information

GRA71 - XX XX WS02

No. of Pins per Row
02~40

Contact Plating
 01=Tin
 02=Gold Flash Standard
 Duplex Plating
 05=Gold Flash/Tin
 ...

Recommended P.C.Board



GERON ELECTRONIC CO.,LTD

GENERAL TOLERANCE

X.° ± 3.0°	X. ± 0.30
.X° ± 2.0°	.X ± 0.25
.XX° ± 1.0°	.XX ± 0.15
.XXX° ± 0.5°	.XXX ± 0.10

DESIGN: ZHOU

DATE: 2010.10.18

DWG. NO.

GRA71-WS02

TITLE.

2.00 PIN HEADER
 SINGLE ROW SMT TYPE
 BASE 2.00H

CHECKED:

DATE:

AUDITED:

DATE:

APPROVED:

DATE:

PART NO.

GRA72-XX-XX-WS02

REV.	UNIT.	SCALE.	PAGE.
01	mm	5:1	1/1

