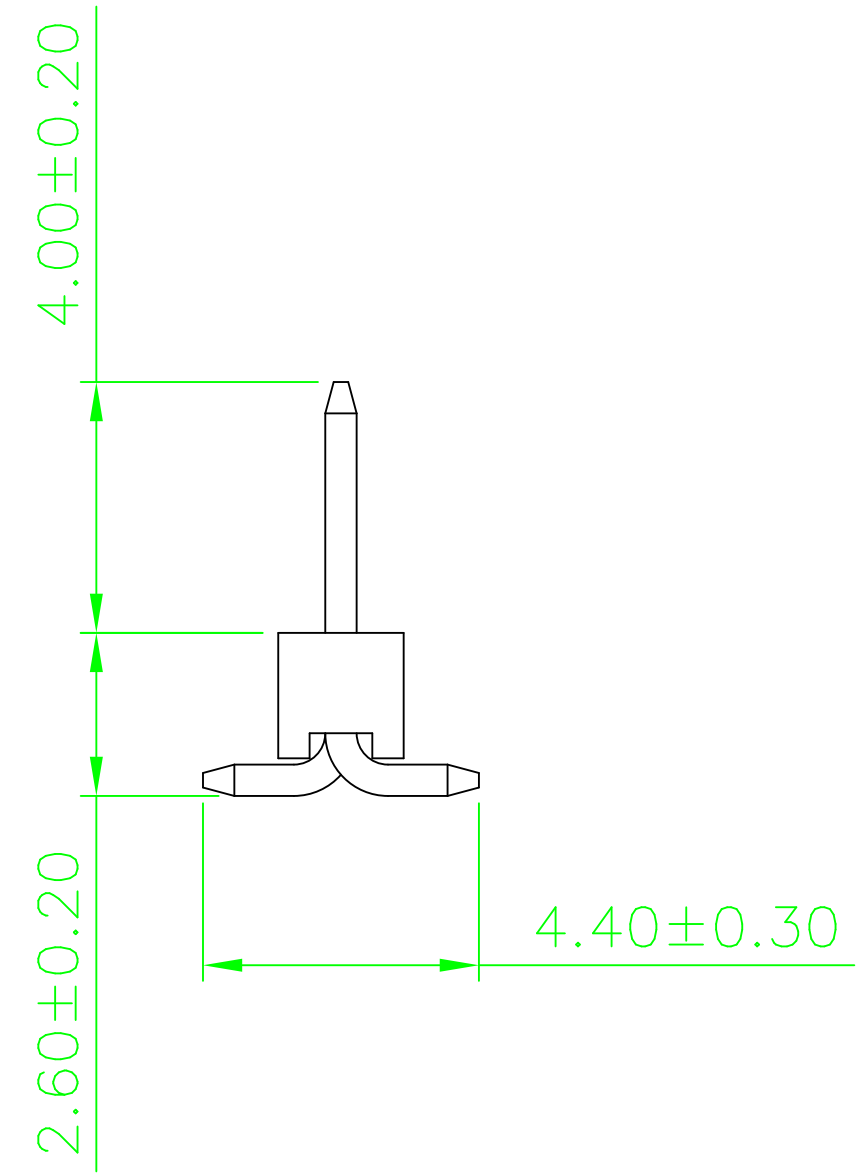
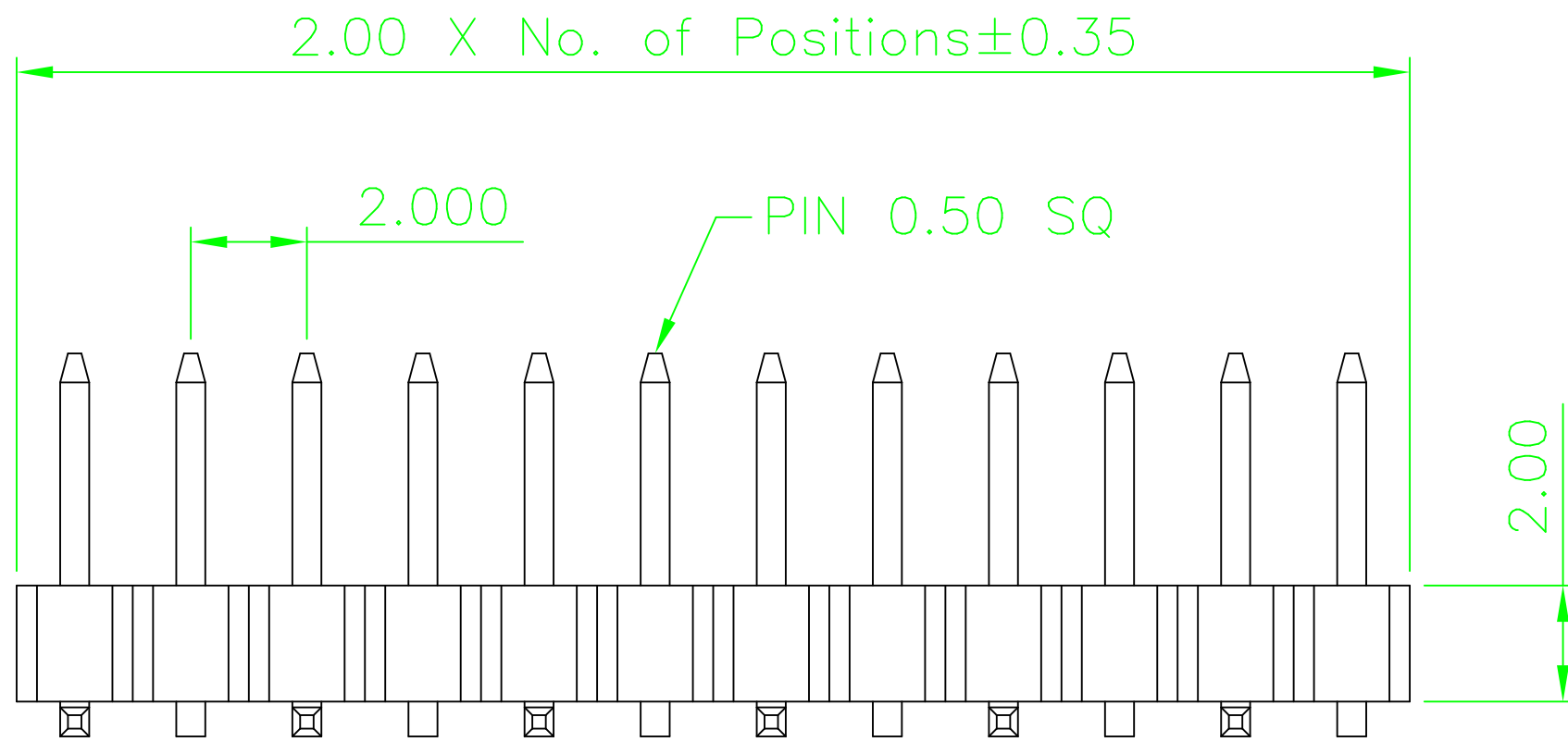
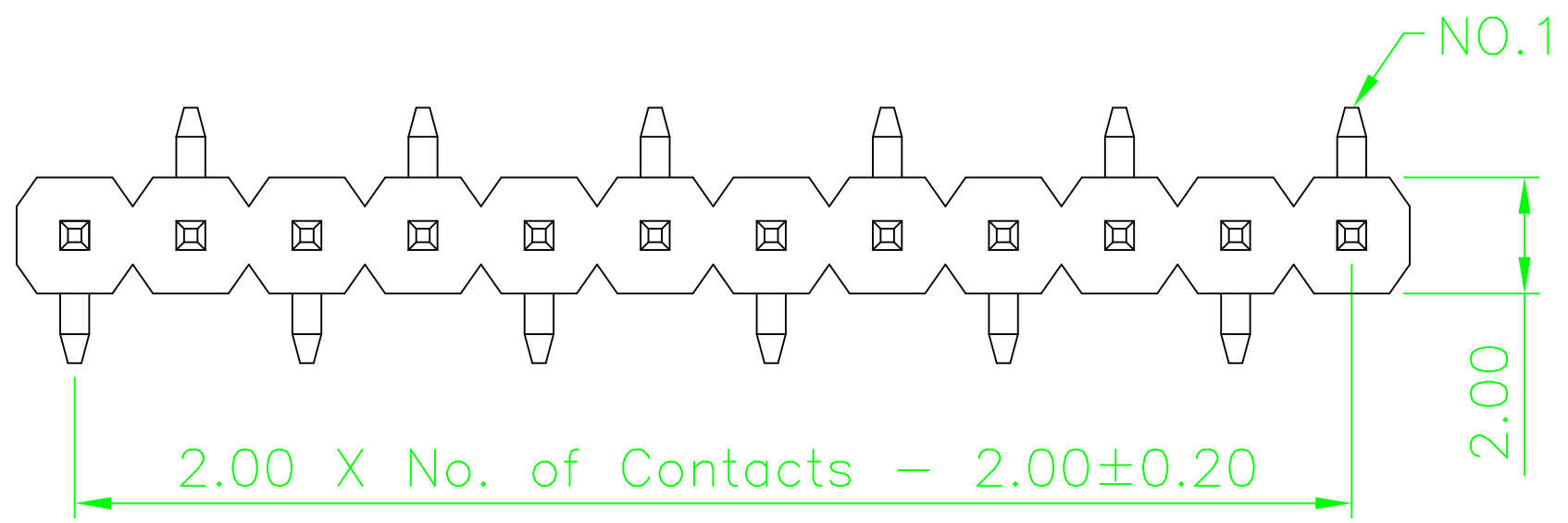


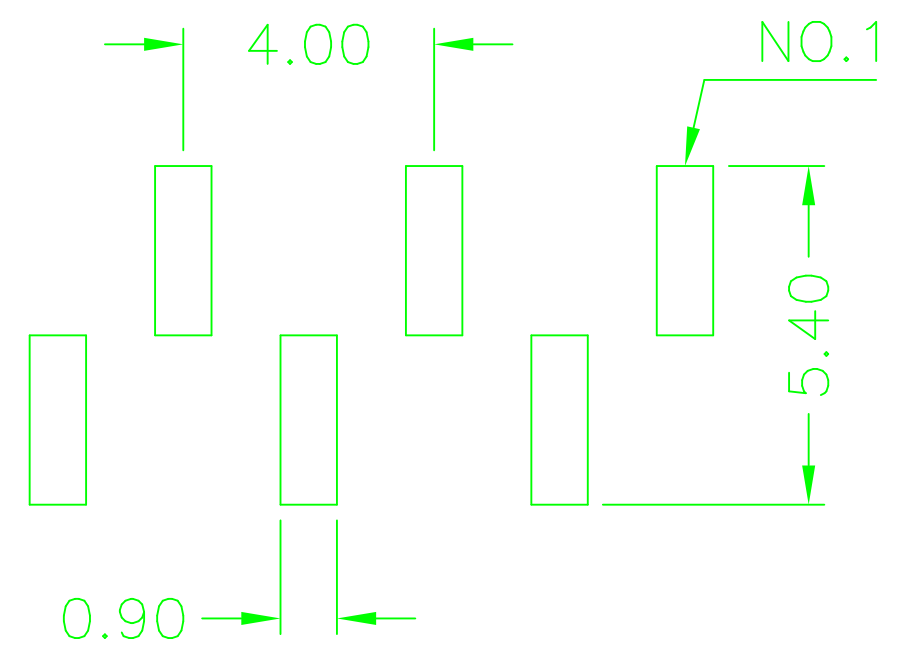
REV.	DESCRIPTION	DATE



Specifications
 Current Rating: 2Amp
 Insulation Resistance: 1000MΩ Min.
 Dielectric Withstanding: 500V AC/DC
 Contact Resistance: 20mΩ Max.
 Operating Temperature: -40°C to +105°C

Materials
 Contact Material: Copper Alloy
 Insulation Material: Polyester, UL 94V-0
 Nylon 6T
 All materials must be Geron materials

Recommended P.C.Board Layout



Ordering Information

GRA71 - XX XX ZS03

No. of Pins per Row
03~40

Contact Plating
01=Tin
02=Gold Flash
Duplex Plating
05=Gold Flash/Tin
...

Geron Electronic Co.,Ltd				GENERAL TOLERANCE		DESIGN: XIAO PING	DATE: 06-16-05'	DWG. NO.	TITLE: 2.00 PIN HEADER SINGLE ROW SMT TYPE BASE 2.00H
				X.° ± 5°	X. ±	CHECKED:	DATE:	GRA71-ZS03	
REV. 01	UNIT. mm	SCALE. 4:1		.X° ± 2°	.X ± 0.38	AUDITED:	DATE:	PART NO.	
				.XX° ± 1°	.XX ± 0.25	APPROVED:	DATE:	GRA71-XX-XX-ZS03	
				.XXX° ± 0.5°	.XXX ± 0.13				