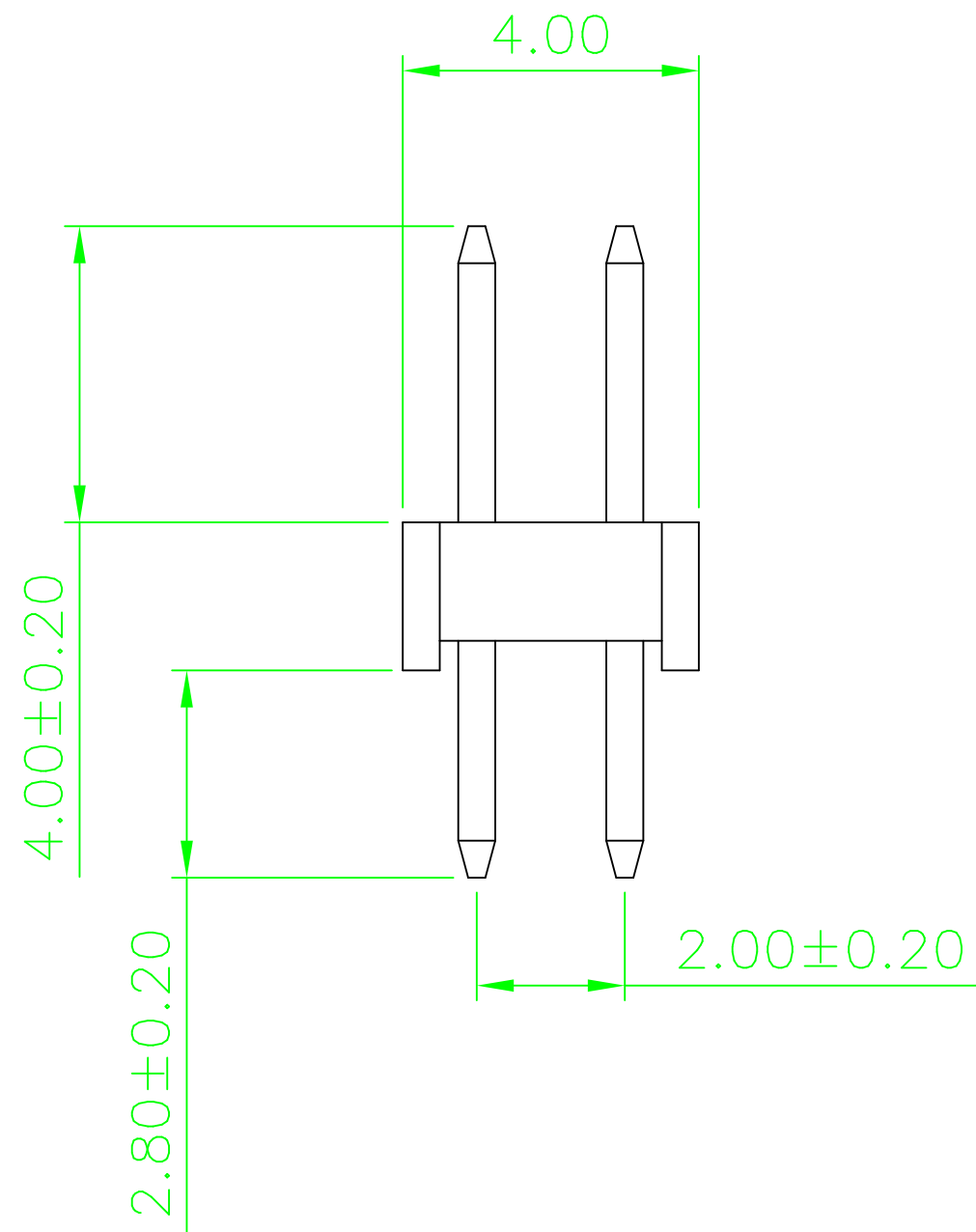
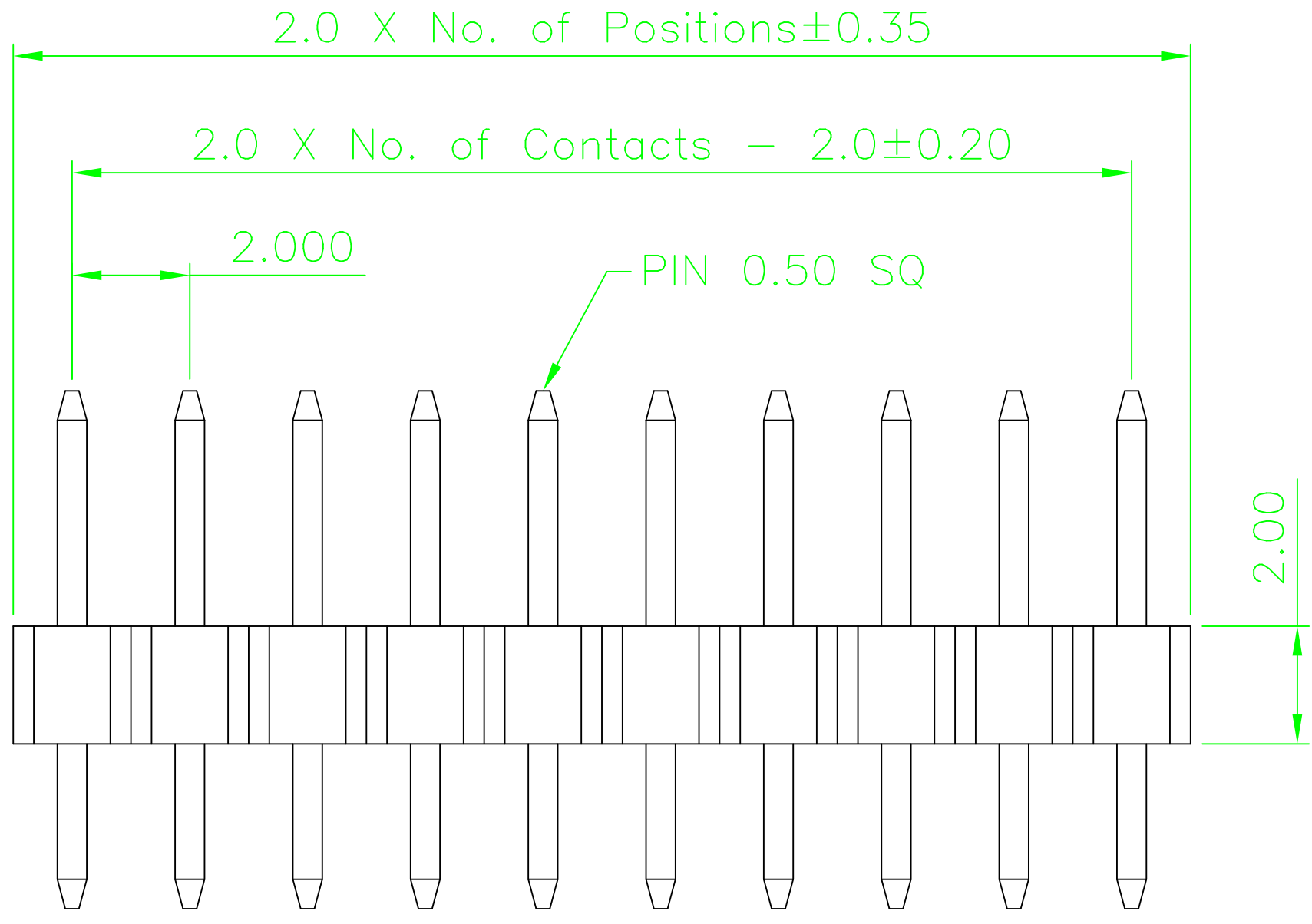
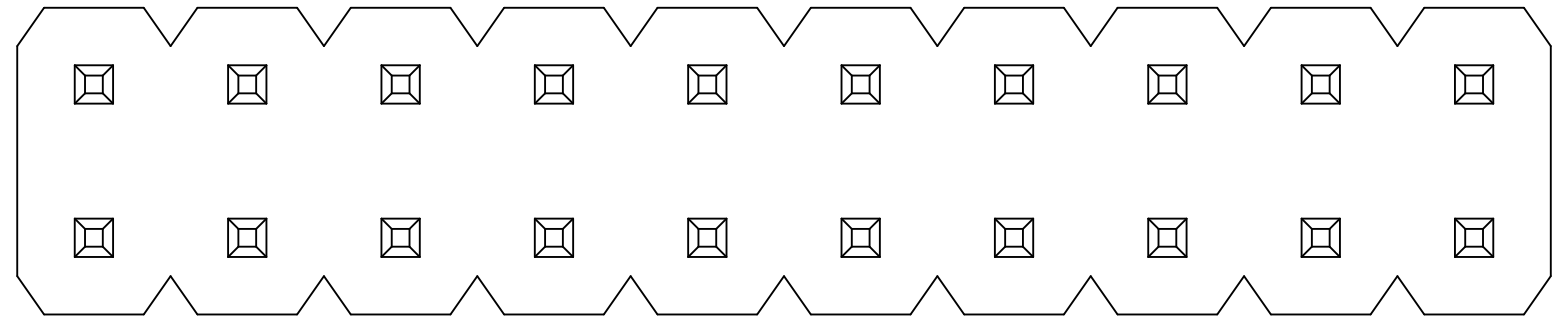


REV.	DESCRIPTION	DATE



Specifications
 Current Rating: 2Amp
 Insulation Resistance: 1000MΩ Min.
 Dielectric Withstanding: 500V AC
 Contact Resistance: 20mΩ Max.
 Operating Temperature: -40°C to +105°C

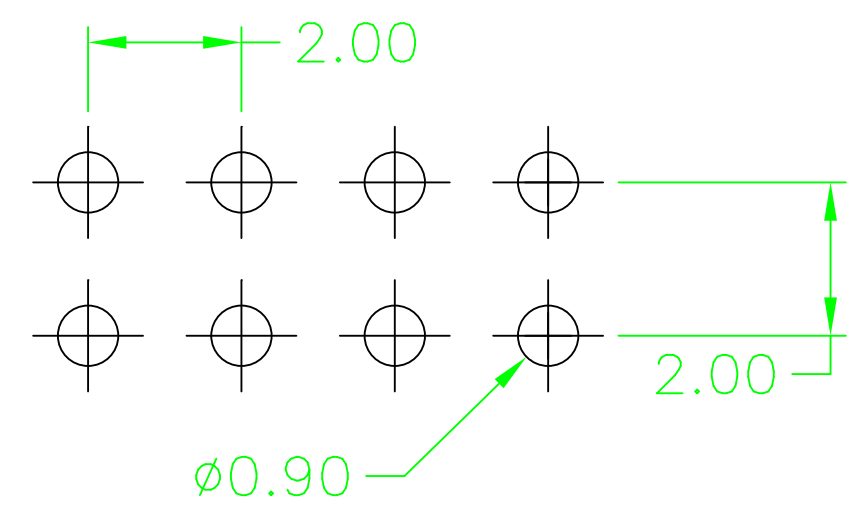
Materials
 Contact Material: Copper Alloy
 Insulation Material: Polyester, UL 94V-0 PBT
 All materials must be Geron materials

Ordering Information

GRA72 - XX XX Z001

No. of Pins per Row 02~40
 Contact Plating
 01=Tin
 02=Gold Flash
 Duplex Plating
 05=Gold Flash/Tin
 ...

Recommended P.C.Board Hole Layout



GERON ELECTRONIC CO., LTD

GENERAL TOLERANCE	
X. ^o ± X. ^o	X. ± .X
.X ^o ± X.	.X ± .X
.XX ^o ± XX.	.XX ± .XX
.XXX ^o ± 0.5 ^o	.XXX ± .XXX

DESIGN:	DRAWN	DATE:	DATE
CHECKED:		DATE:	
AUDITED:		DATE:	
APPROVED:		DATE:	

DWG. NO.	GRA72-Z001
PART NO.	GRA72-XX-XX-Z001

TITLE.	TITLE1
	TITLE2
	TITLE3

REV.	REV.	UNIT.	UNIT	SCALE.	SCALE	