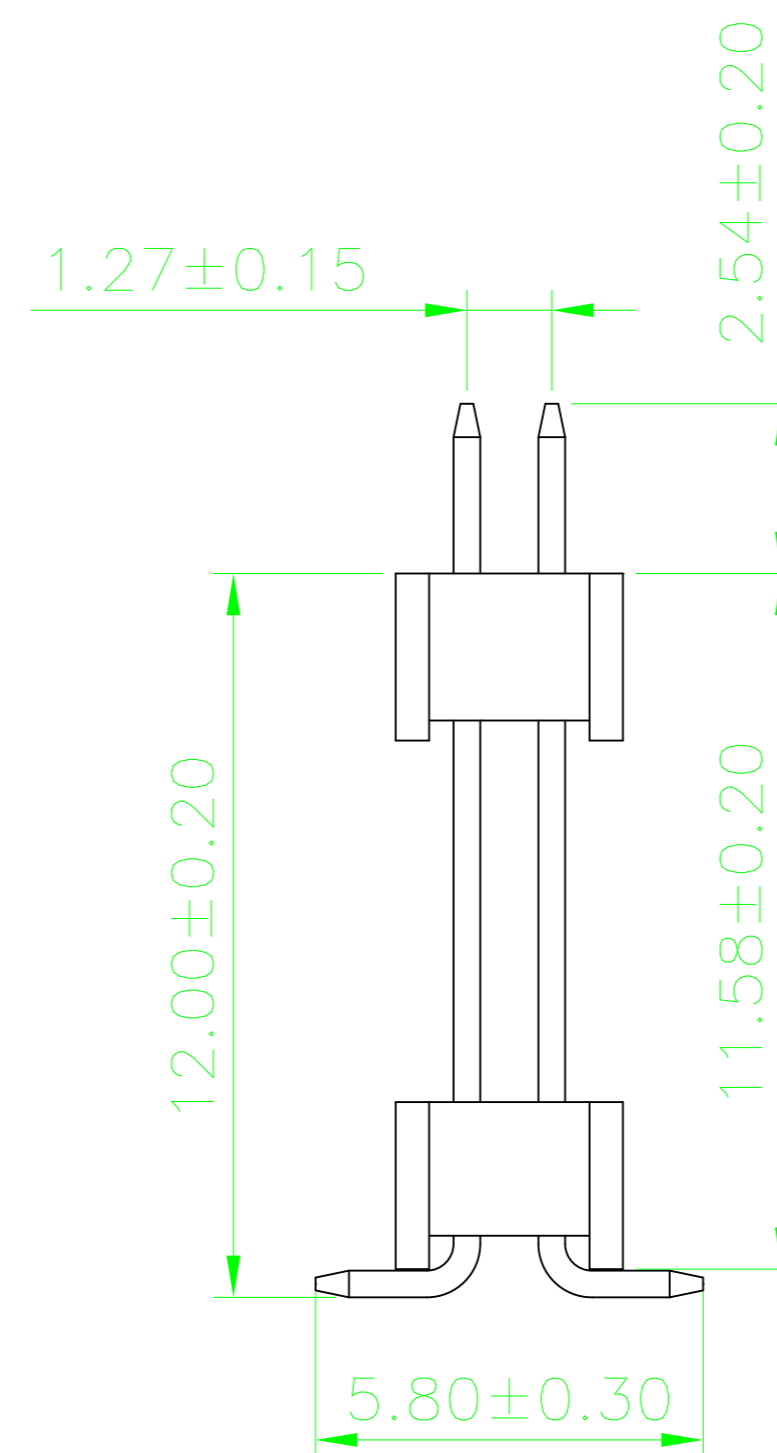
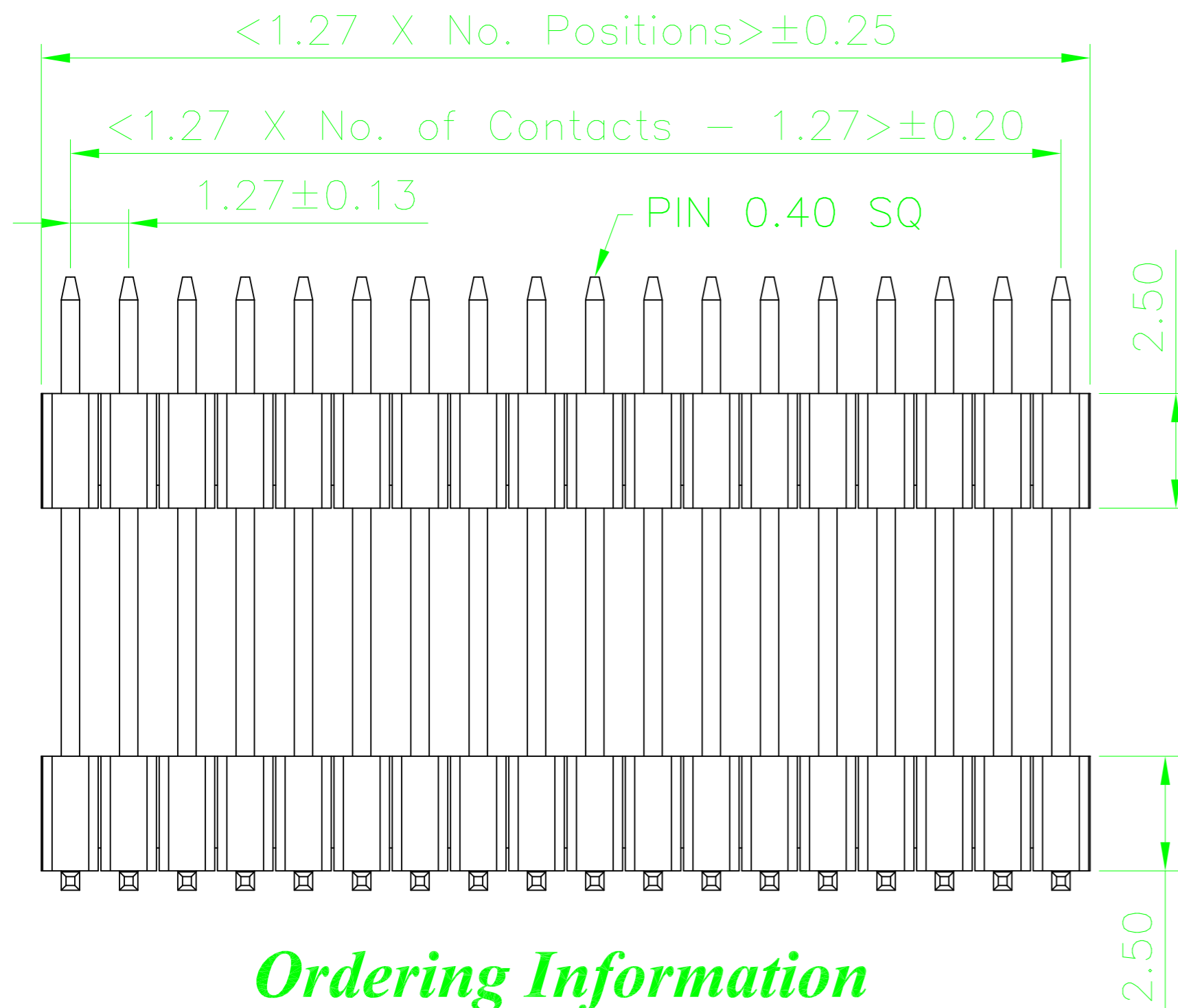
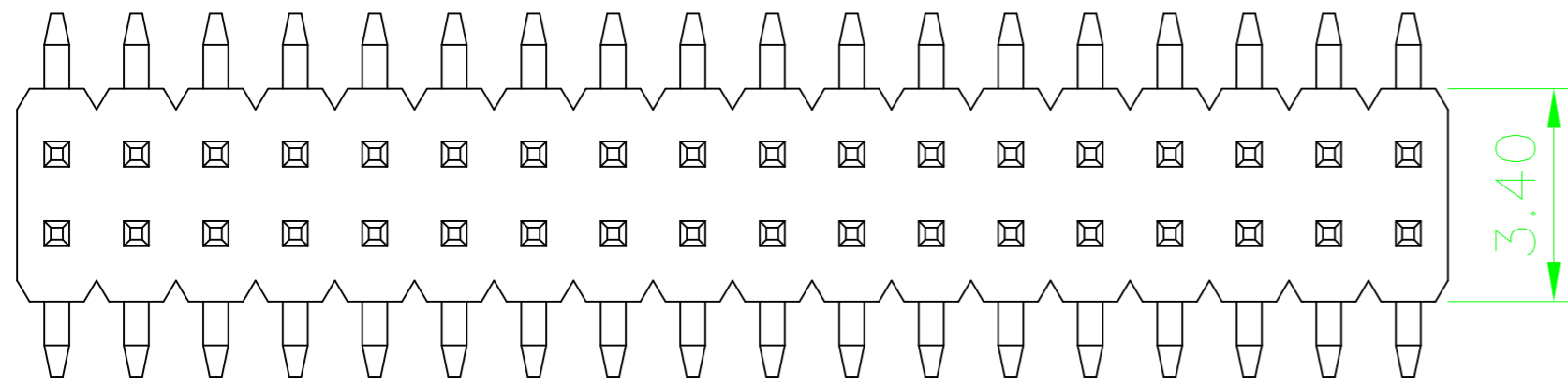


REV.	LOCAS.	DESCRIPTION	DATE	DRAWN
A		INITIAL RELEASE.	2010.06.14	皮洪斌



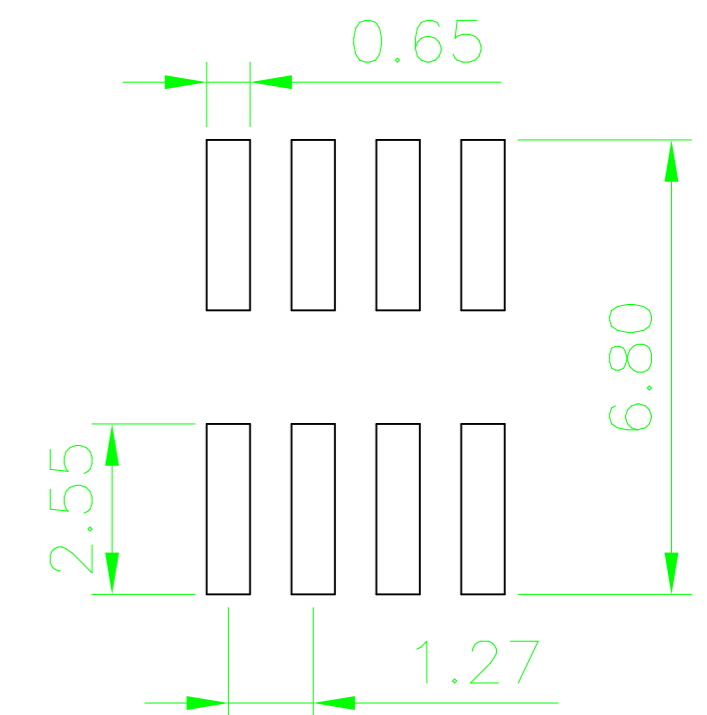
Specifications

Current Rating: 1Amp
 Insulation Resistance: 1000MΩ Min.
 Dielectric Withstanding: 300V AC/DC
 Contact Resistance: 20mΩ Max.
 Operating Temperature: -40°C to +105°C

Materials

Contact Material: Brass
 Insulation Material: Polyester, UL 94V-0
 Nylon 6T
 All materials must be Geron materials

RECOMMENDED P.C.B LAYOUT (Tolerance: ±0.05)



Ordering Information

GRA52 - XX XX ZS07-2

No. of Pins per Row
02~33

Contact Plating
01=Tin
02=Gold Flash
Duplex plating
05=Gold Flash /Tin
...

GERON ELECTRONIC CO.,LTD

GENERAL TOLERANCE

X.° ± 5°	X. ± 0.30
.X° ± 2°	.X ± 0.20
.XX° ± 1°	.XX ± 0.15
.XXX° ± 0.5°	.XXX ± 0.10

DESIGN: 皮洪斌

DATE: 2010-06-14

DWG. NO.

GRA52-ZS07-2

TITLE.

1.27 PIN HEADER
BOARD SPACER DUAL
ROWS SMT TYPE

CHECKED:

DATE:

AUDITED:

DATE:

APPROVED:

DATE:

PART NO.

GRA52-XX-XX-ZS07-2

REV.	UNIT.	SCALE.	PAGE.
A	mm	1:1	1/1

