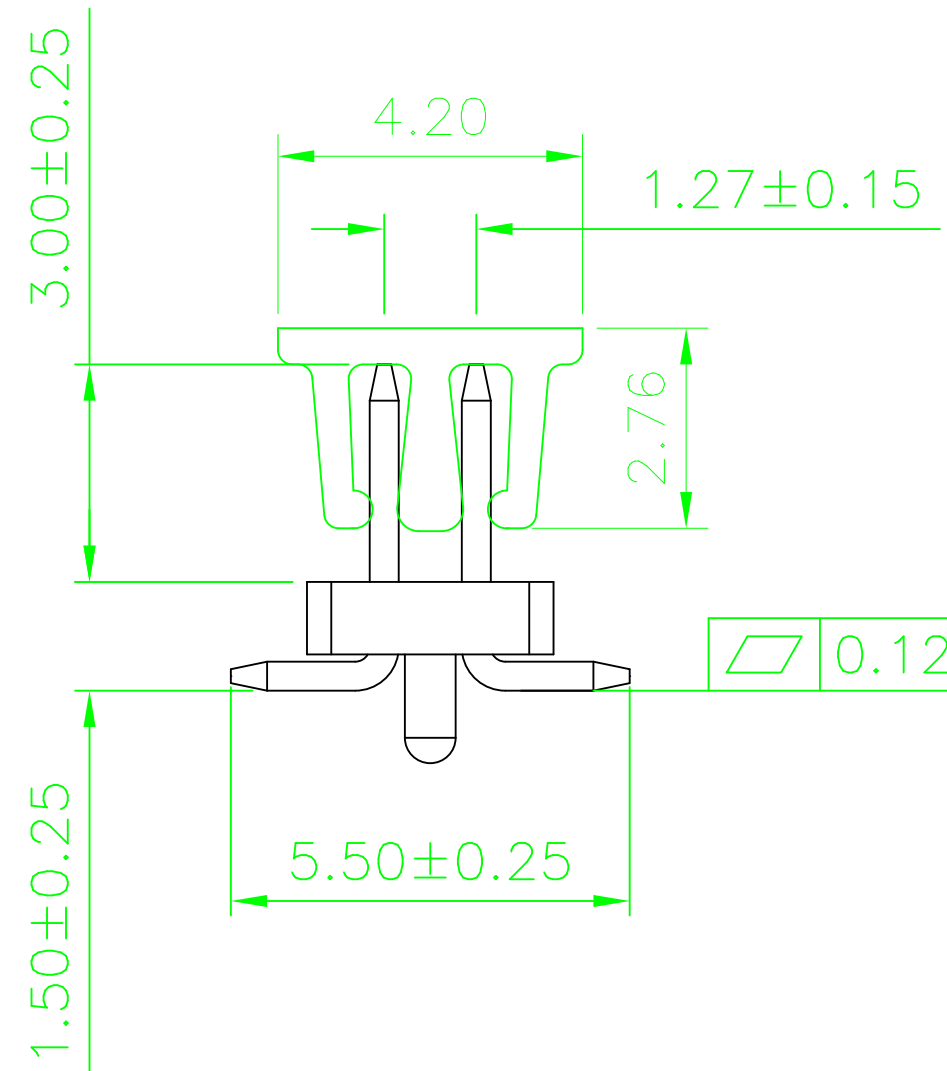
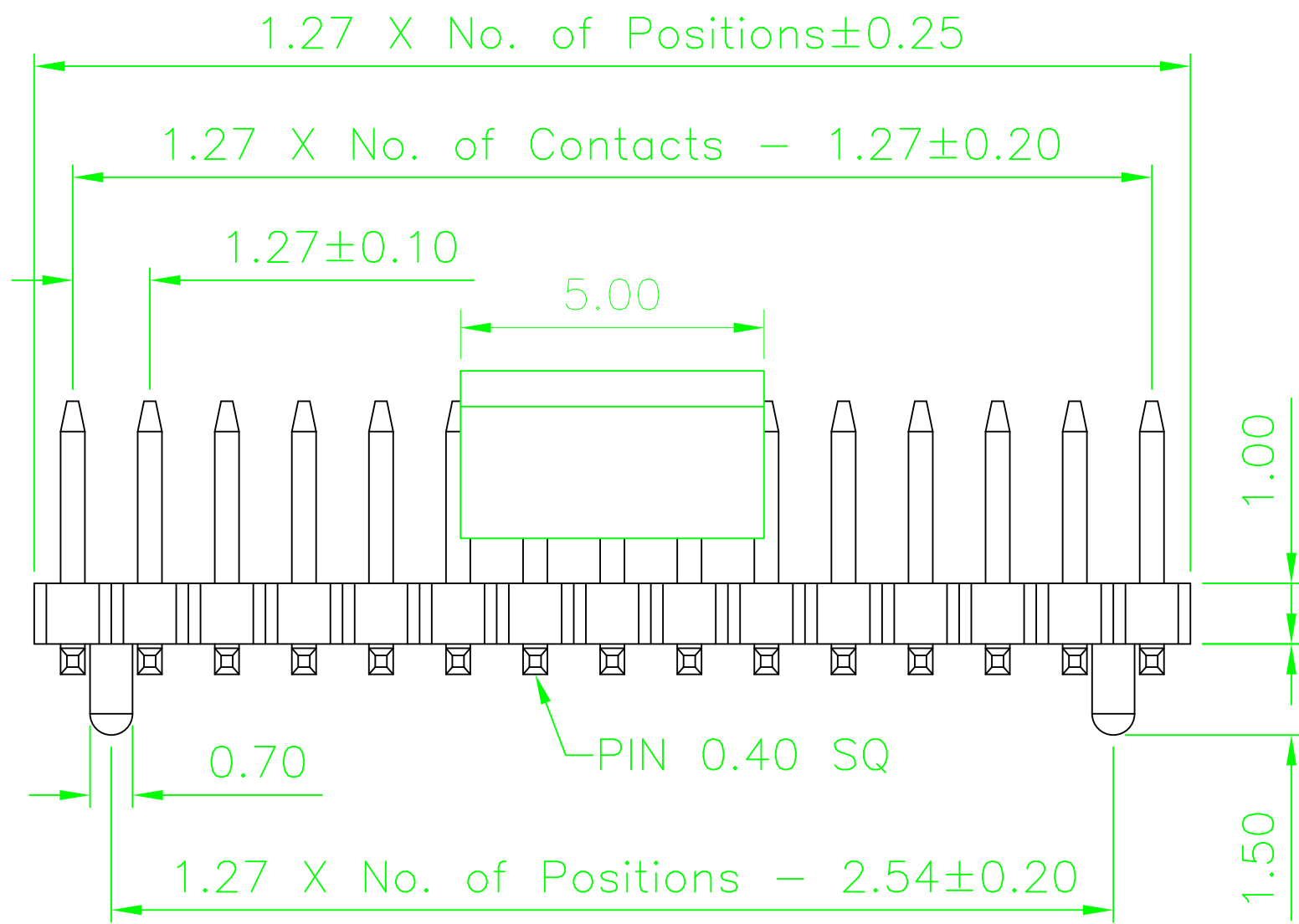
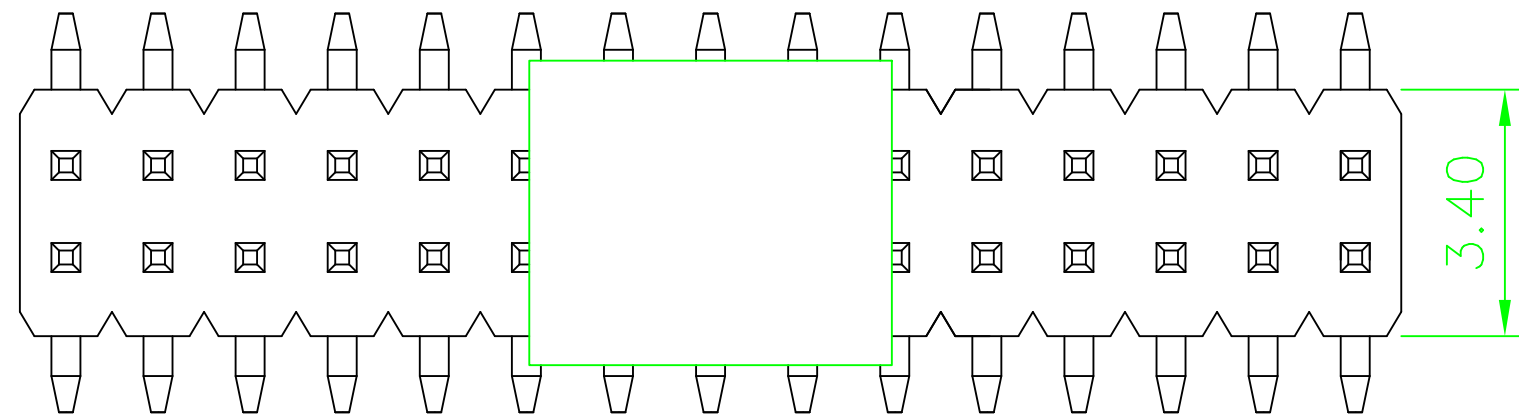


REV.	LOCAS.	DESCRIPTION	DATE	DRAWN
01		轉環保圖面	2010-10-23	ZHOU



Specifications

Current Rating: 1Amp
 Insulation Resistance: 1000MΩ Min.
 Dielectric Withstanding: 300V AC
 Contact Resistance: 20mΩ Max.
 Operating Temperature: -40°C to +105°C

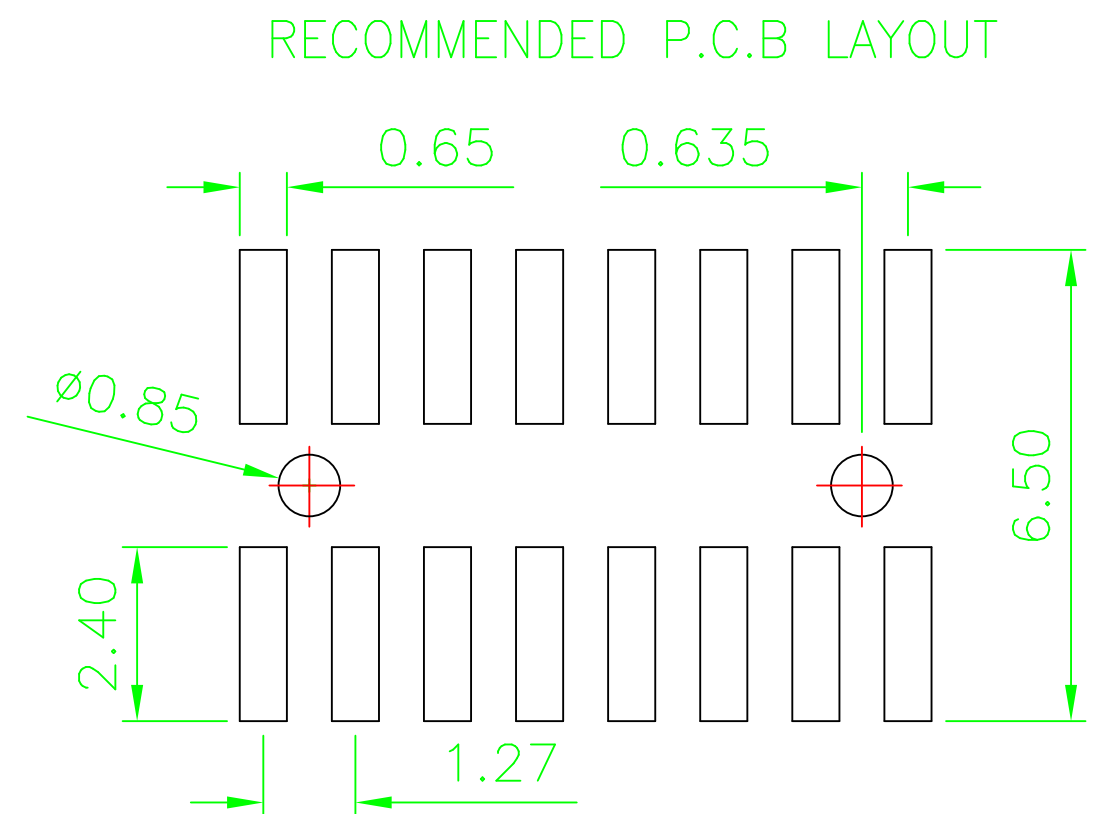
Materials

Contact Material: Brass
 Insulation Material: Polyester, UL 94V-0 LCP
 All materials must be Geron materials

Ordering Information

GRA52 - XX XX ZS03 - X

No. of Pins per Row: 03-50
 Contact Plating: 01=Tin, 02=Gold Flash, Duplex plating, 05=Gold Flash /Tin, ...
 Options: P=cap, T=tape reel, PT=cap=tape reel



GERON ELECTRONIC CO., LTD

GENERAL TOLERANCE

X.° ± 5.0°	X. ± 0.30
.X° ± 3.0°	.X ± 0.25
.XX° ± 2.0°	.XX ± 0.15
.XXX° ± 1.0°	.XXX ± 0.10

DESIGN: ZHOU	DATE: 2010.10.23
CHECKED:	DATE:
AUDITED:	DATE:
APPROVED:	DATE:

DWG. NO.	GRA52-ZS03
PART NO.	GRA52-XX-XX-ZS03-X

TITLE:
 1.27 PIN HEADER
 DUAL ROW SMT TYPE
 W/POST

REV.	UNIT.	SCALE.	PAGE.
01	mm	5:1	1/1