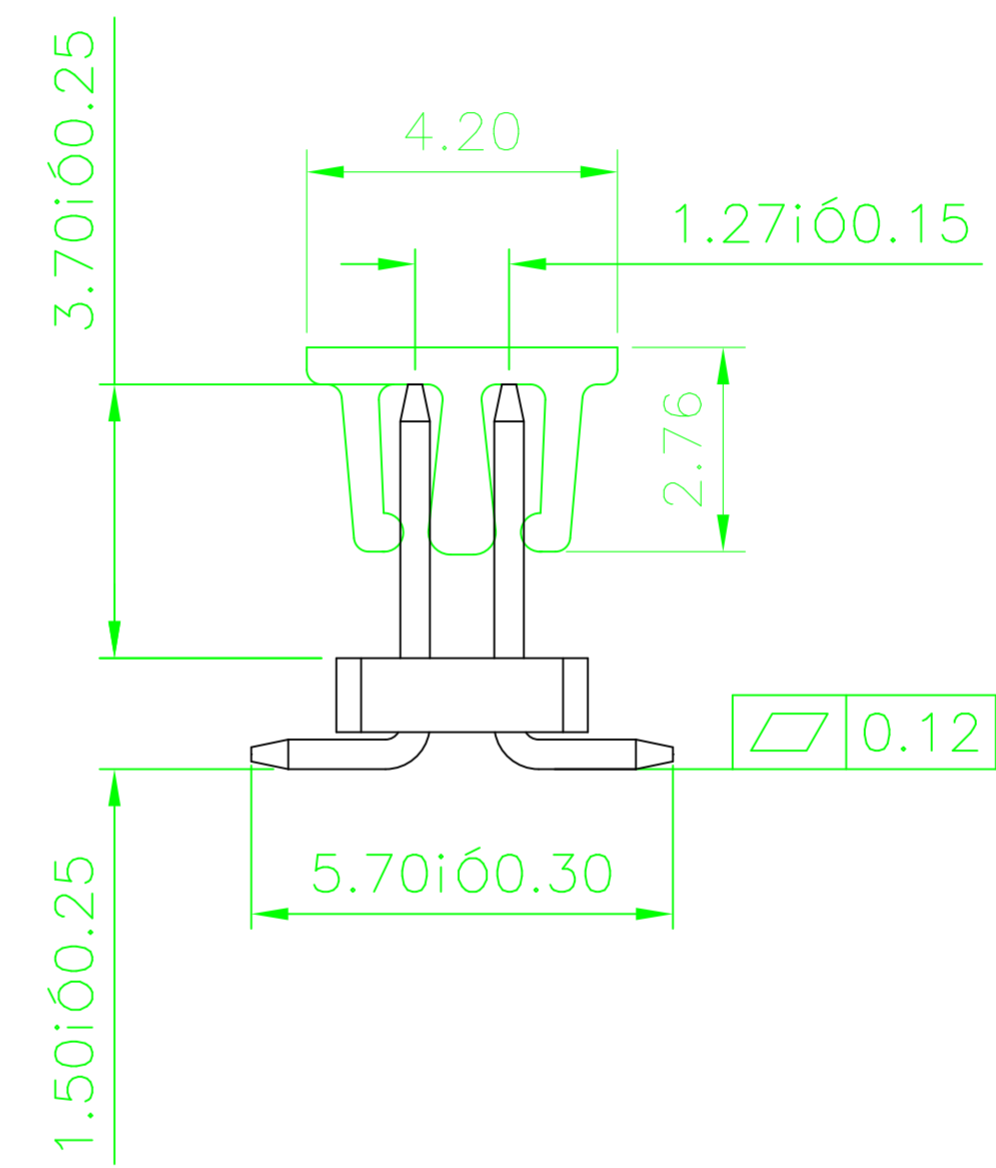
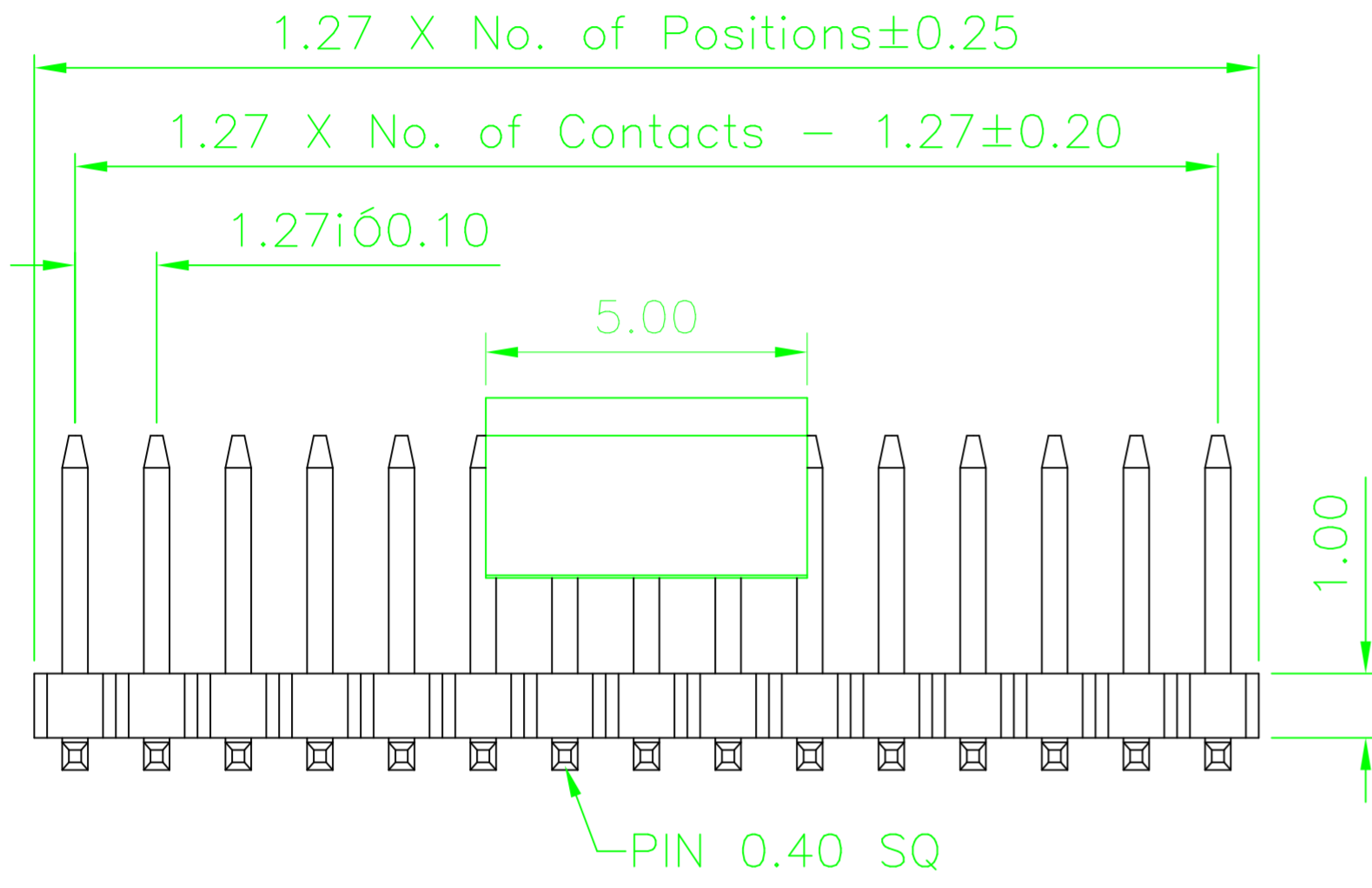
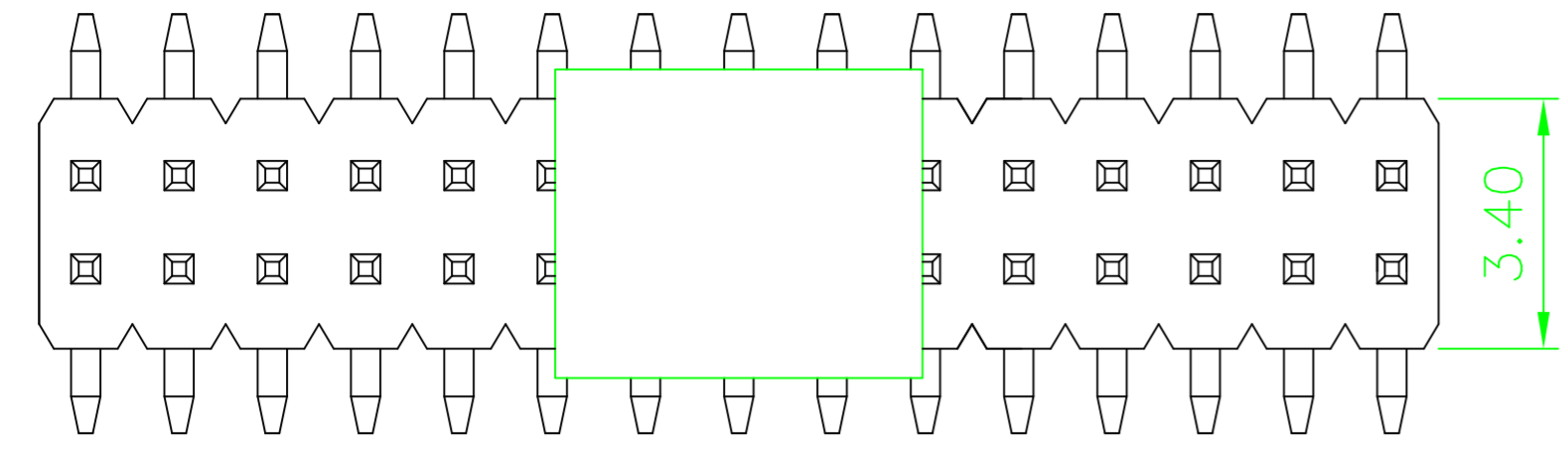


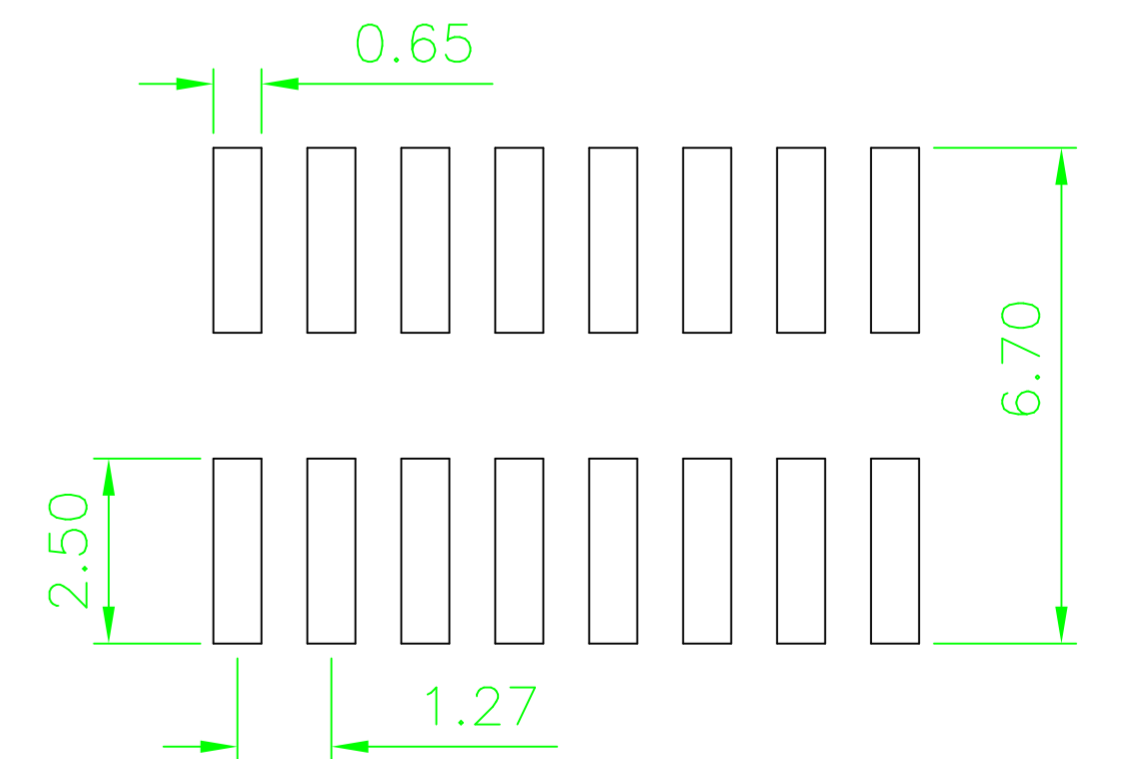
REV.	LOCAS.	DESCRIPTION	DATE	DRAWN
02	△01	ADD CAP; LCP was Nylon 6T	2010.06.27	黃美君



Specifications
 Current Rating: 1Amp
 Insulation Resistance: 1000MΩ Min.
 Dielectric Withstanding: 300V AC
 Contact Resistance: 20mΩ Max.
 Operating Temperature: -40°C to +105°C

Materials
 Contact Material: Brass
 Insulation Material: Polyester, UL 94V-0
 LCP △01
 All materials must be Geron materials

RECOMMENDED P.C.B LAYOUT



Ordering Information

GRA52 - XX XX ZS01 - X △01

No. of Pins per Row: 02~50
 Contact Plating: 01=Tin, 02=Gold Flash, Duplex plating, 05=Gold Flash /Tin, ...
 Options: P=cap, T=tape reel, PT=cap=tape reel

GERON ELECTRONIC CO., LTD				GENERAL TOLERANCE		DESIGN: 黃美君	DATE: 2007.06.27	DWG. NO.	TITLE: 1.27 PIN HEADER DUAL ROW SMT TYPE BASE 1.00
				X° ± 5.0°	X. ± 0.30	CHECKED:	DATE:	GRA52-ZS01	
REV. 02	UNIT. mm	SCALE. 5:1	PAGE. 1/1	.X° ± 3.0°	.X ± 0.25	AUDITED:	DATE:	PART NO.	
				.XX° ± 2.0°	.XX ± 0.15	APPROVED:	DATE:	GRA52-XX-XX-ZS01-X	
				.XXX° ± 1.0°	.XXX ± 0.10				