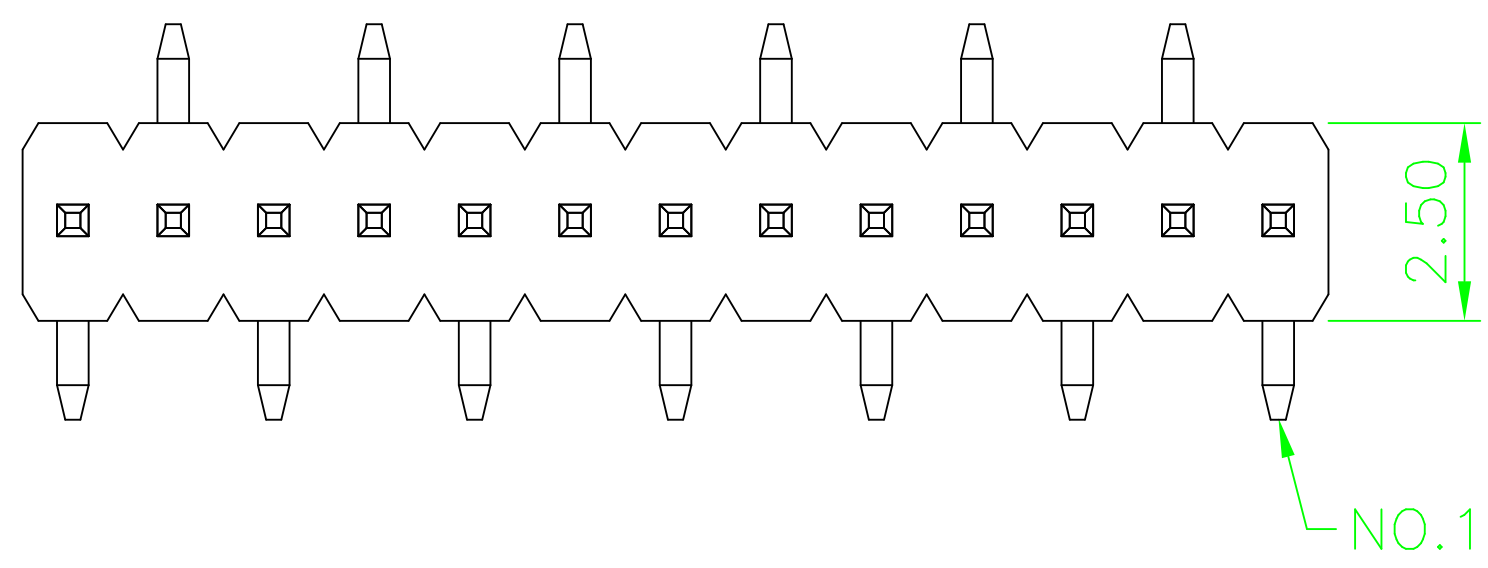


REV.	DESCRIPTION	DATE

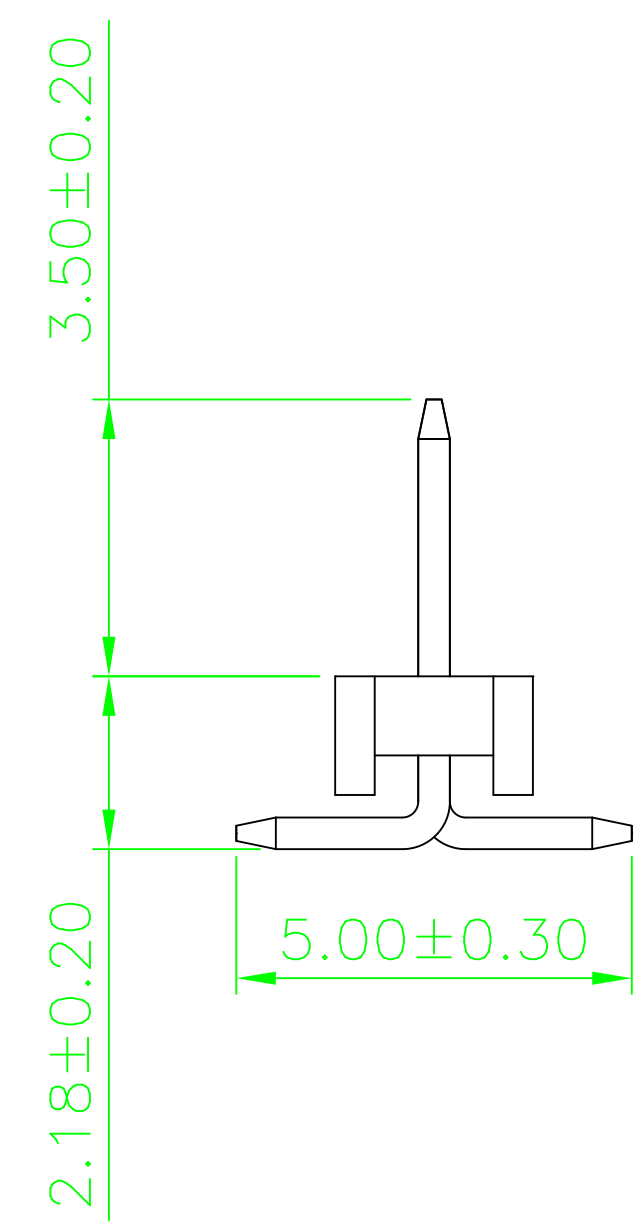
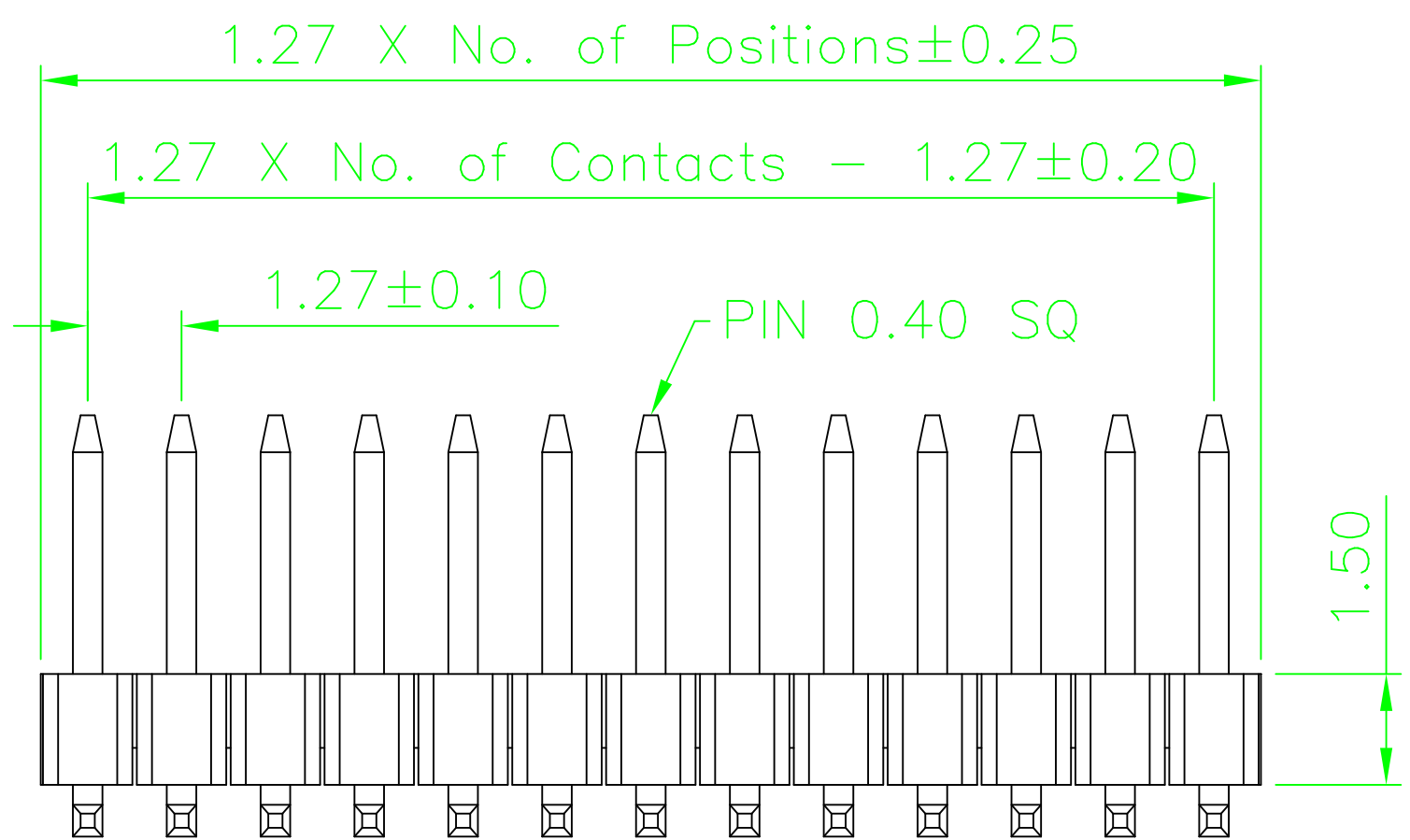


Specifications

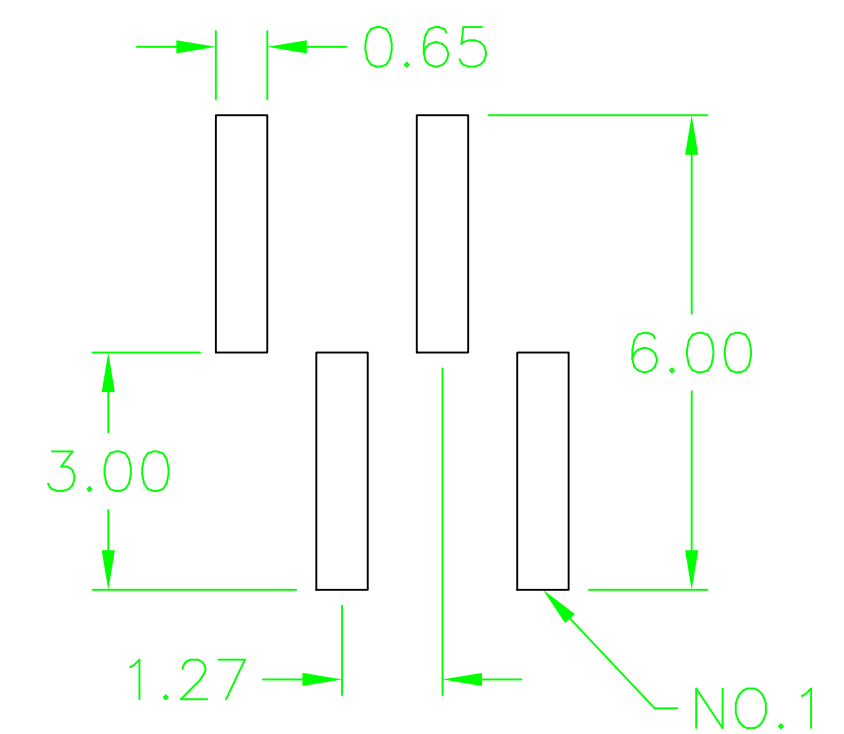
- Current Rating: 1Amp
- Insulation Resistance: 1000MΩ Min.
- Dielectric Withstanding: 300V AC/DC
- Contact Resistance: 20mΩ Max.
- Operating Temperature: -40°C to +105°C

Materials

- Contact Material: Brass
 - Insulation Material: Polyester, UL 94V-0
Nylon 6T
- All materials must be Geron materials



RECOMMENDED P.C.B LAYOUT



Ordering Information

GRA51	-	XX		XX	ZS02
		└──┬──┘		└──┬──┘	
No. of Pins per Row		Contact Plating			
02~33		01=Tin			
		02=Gold Flash			
		Duplex plating			
		05=Gold Flash /Tin			
		...			

Geron Electronic Co.,Ltd

REV.	A	UNIT.	mm	SCALE.	5:1	GENERAL TOLERANCE		DESIGN:	ZHOU	DATE:	2010.9.21	DWG. NO.	GRA51-ZS02	TITLE.	1.27 PIN HEADER SINGLE ROWS SMT TYPE BASE 1.50H	
						X° ± 5°	X. ±	CHECKED:		DATE:		PART NO.				GRA51-XX-XX-ZS02
						.X° ± 2°	.X ± 0.38	AUDITED:		DATE:						
						.XX° ± 1°	.XX ± 0.25	APPROVED:		DATE:						
						.XXX° ± 0.5°	.XXX ± 0.13									