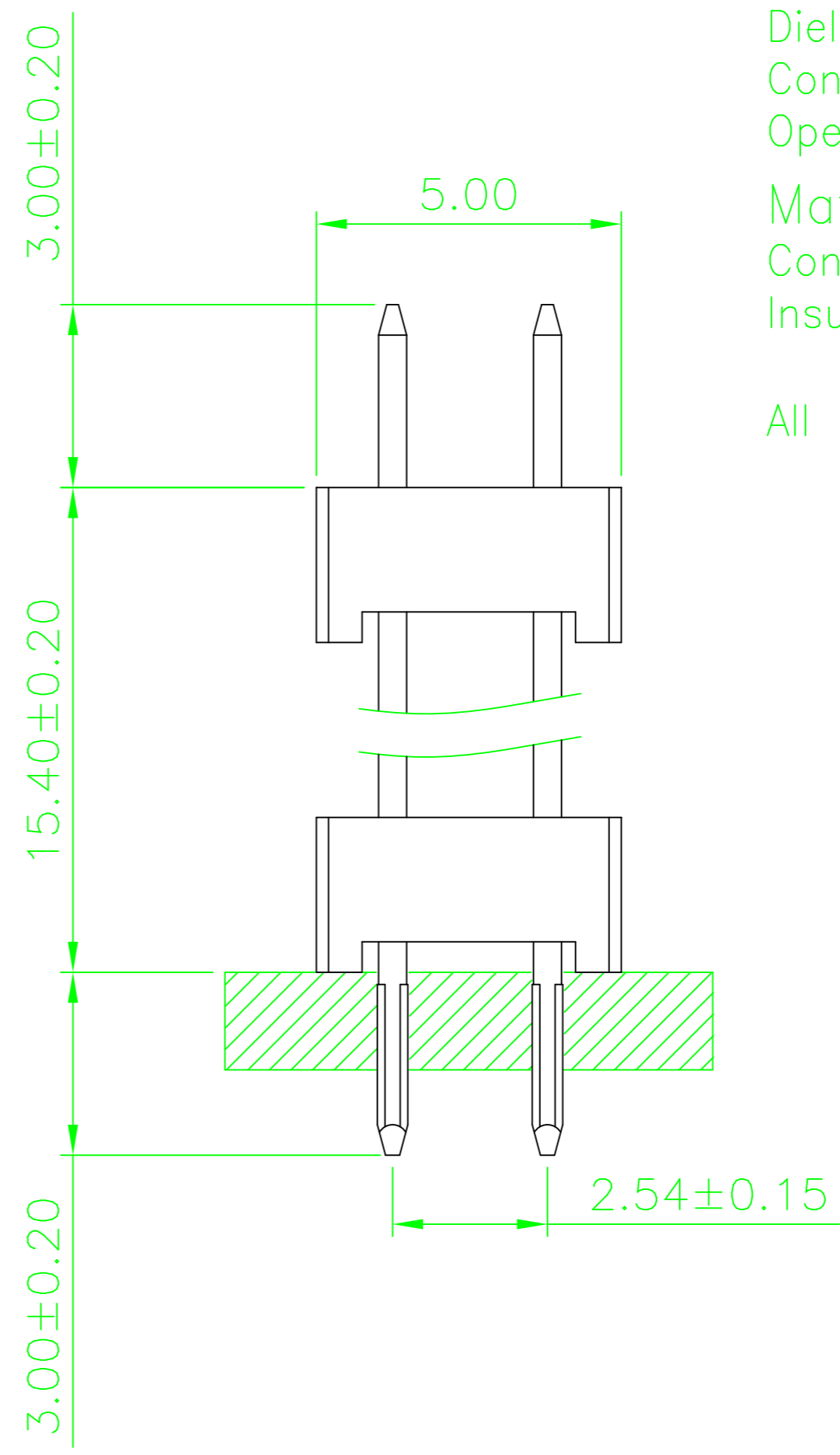
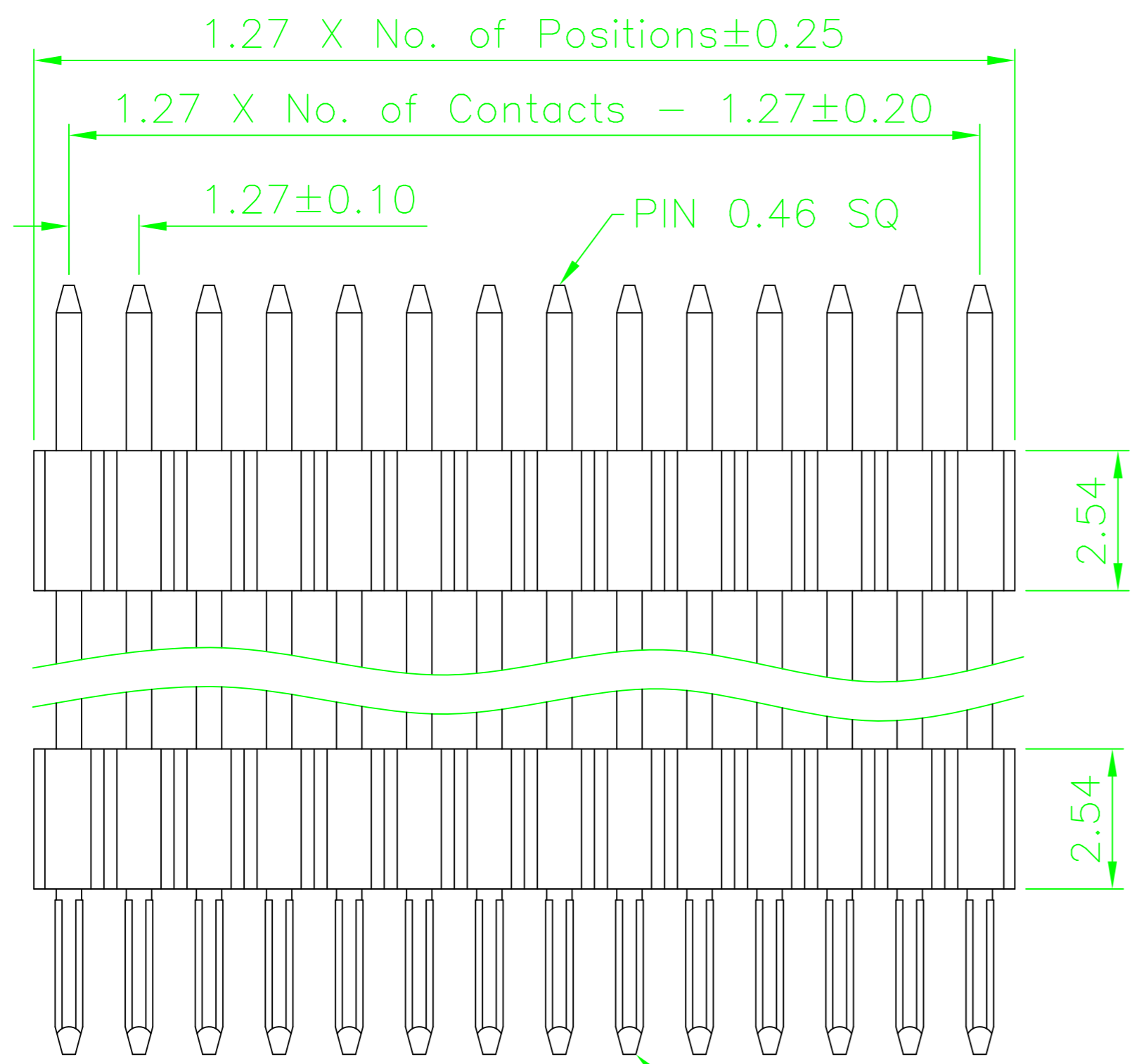
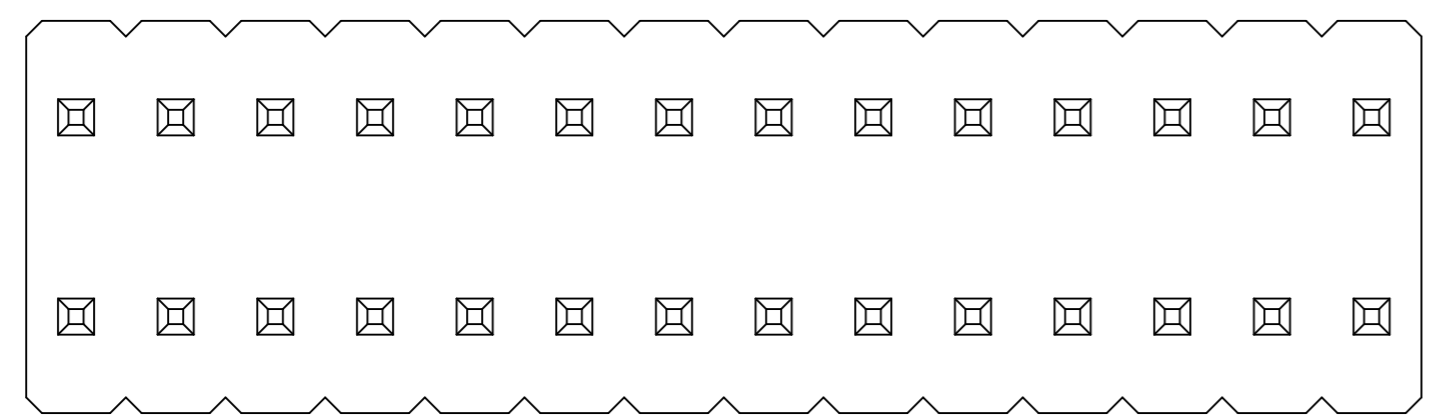


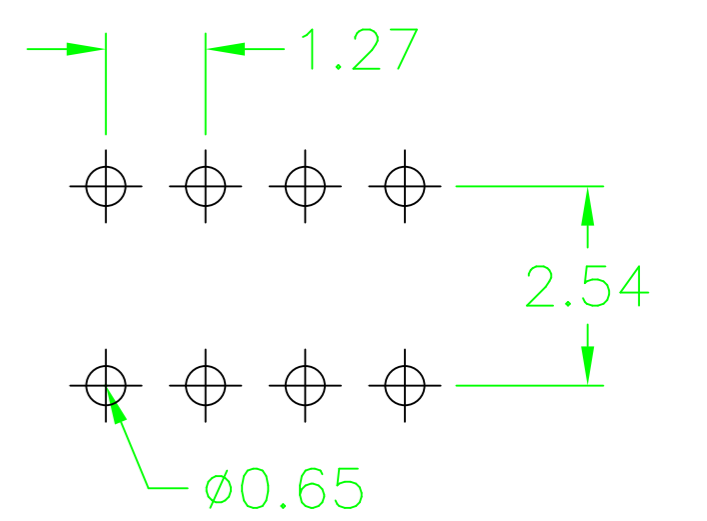
REV.	DESCRIPTION	DATE



Specifications
 Current Rating: 1Amp
 Insulation Resistance: 1000MΩ Min.
 Dielectric Withstanding: 300V AC
 Contact Resistance: 20mΩ Max.
 Operating Temperature: -40°C to +105°C

Materials
 Contact Material: Copper Alloy
 Insulation Material: Polyester, UL 94V-0
 Nylon 6T
 All materials must be Geron materials

Recommended P.C.Board
 Hole Layout



Ordering Information

GRA52 - XX XX Z01 S2

No. of Pins per Row
 02-40

Contact Plating
 01=Tin
 02=Gold Flash
 Duplex plating
 05=Gold Flash /Tin

Geron Electronic Co.,Ltd

GENERAL TOLERANCE		DESIGN: ZHOU	DATE: 2010.09.21	DWG. NO. GRA52-Z01-S2	TITLE: 1.27 PIN HEADER BOARD SPACER DUAL ROWS DIP TYPE
X° ± 5°	X. ±	CHECKED:	DATE:	PART NO. GRA52-XX-XX-Z01-S2	
.X° ± 2°	.X ± 0.38	AUDITED:	DATE:		
.XX° ± 1°	.XX ± 0.25	APPROVED:	DATE:		
.XXX° ± 0.5°	.XXX ± 0.13				

REV. 01	UNIT. mm	SCALE. 5:1	
---------	----------	------------	--