

### Specifications

Current Rating: 1Amp  
 Insulation Resistance: 1000MΩ Min.  
 Dielectric Withstanding: 300V AC  
 Contact Resistance: 20mΩ Max.  
 Operating Temperature: -40°C to +105°C

### Materials

Contact Material: Copper Alloy  
 Insulation Material: Polyester, UL 94V-0  
 Nylon-6T

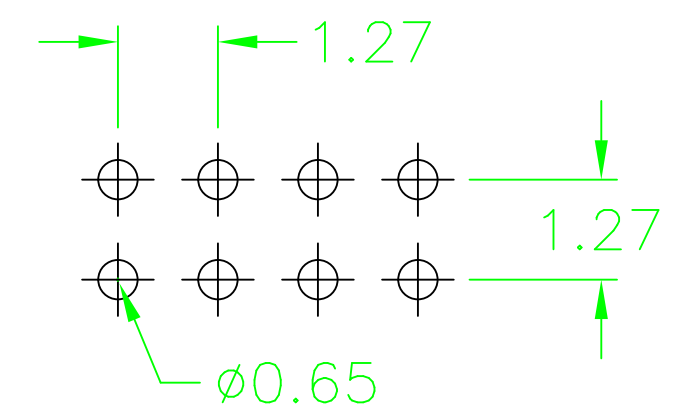
### Ordering Information

GRA52 - XX XX Z001

No. of Pins per Row  
02~50

Contact Plating  
 01=Tin  
 02=Gold Flash Standard  
 Duplex plating  
 05=Gold Flash /Tin  
 ...

### Recommended P.C.Board Hole Layout



GERON ELECTRONIC CO., LTD

#### GENERAL TOLERANCE

X.° ± X.°	X. ± .X
.X° ± X.	.X ± .X
.XX° ± XX.	.XX ± .XX
.XXX° ± 0.5°	.XXX ± .XXX

DESIGN:	DRAWN	DATE:	DATE
CHECKED:		DATE:	
AUDITED:		DATE:	
APPROVED:		DATE:	

DWG. NO.	GRA52-Z001
PART NO.	GRA52-XX-XX-Z001

TITLE.	TITLE1
	TITLE2
	TITLE3

REV.	REV.	UNIT.	UNIT	SCALE.	SCALE	
------	------	-------	------	--------	-------	--