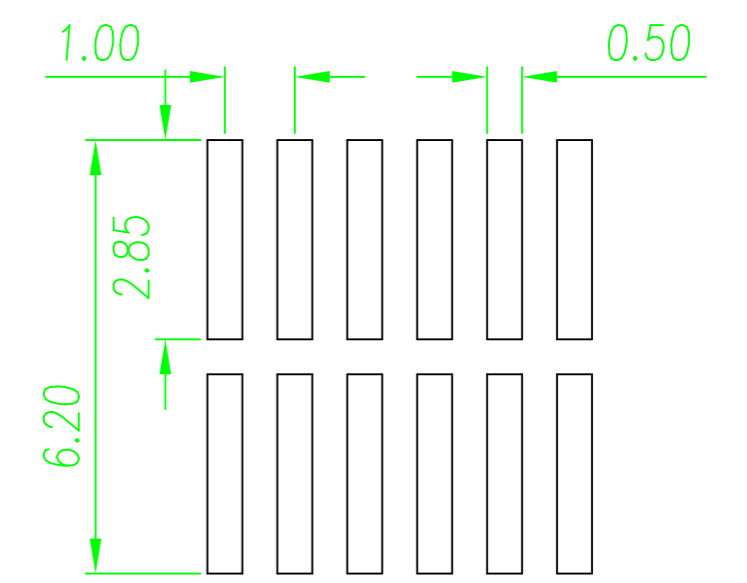
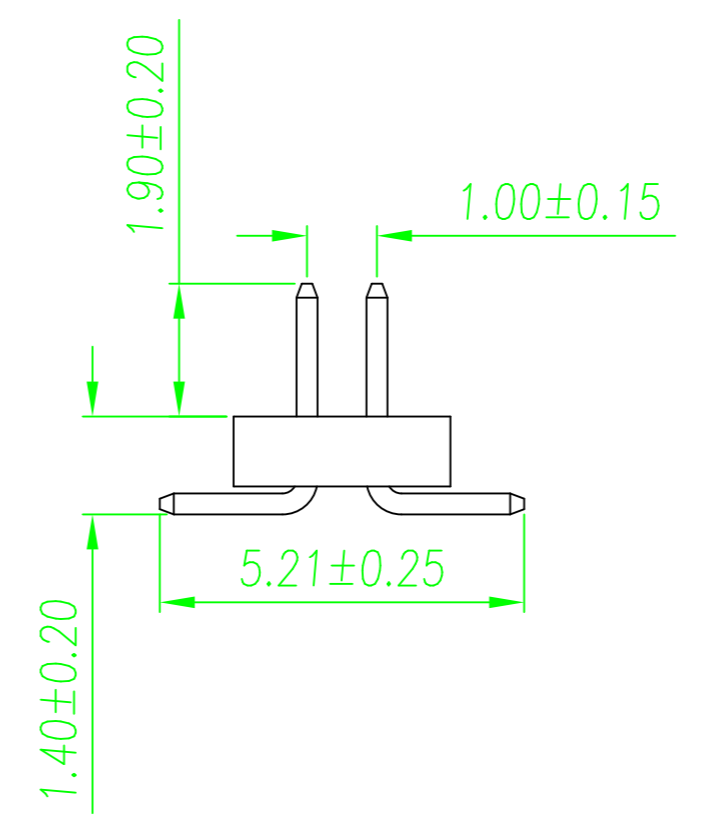
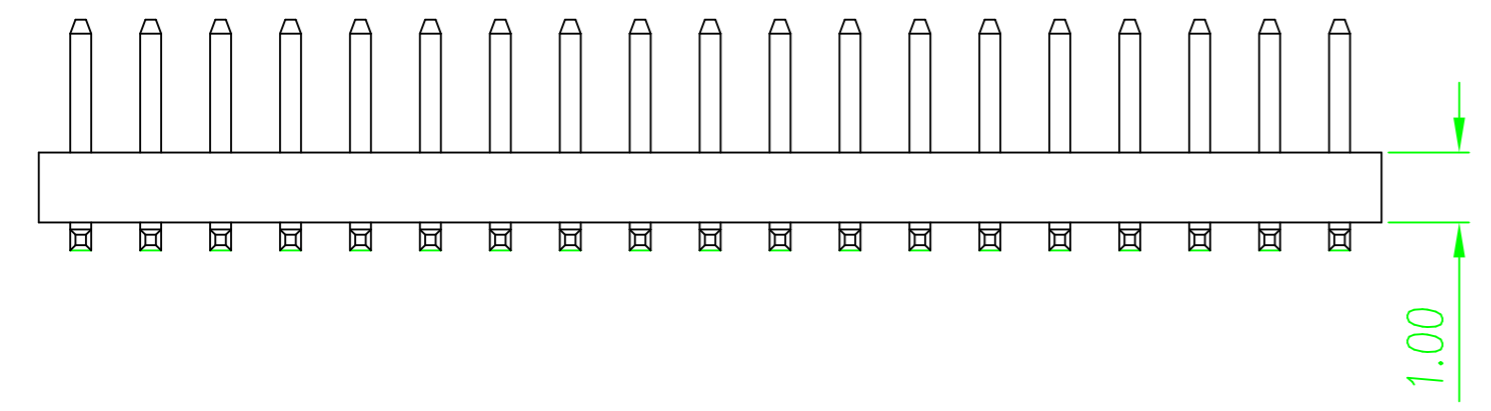
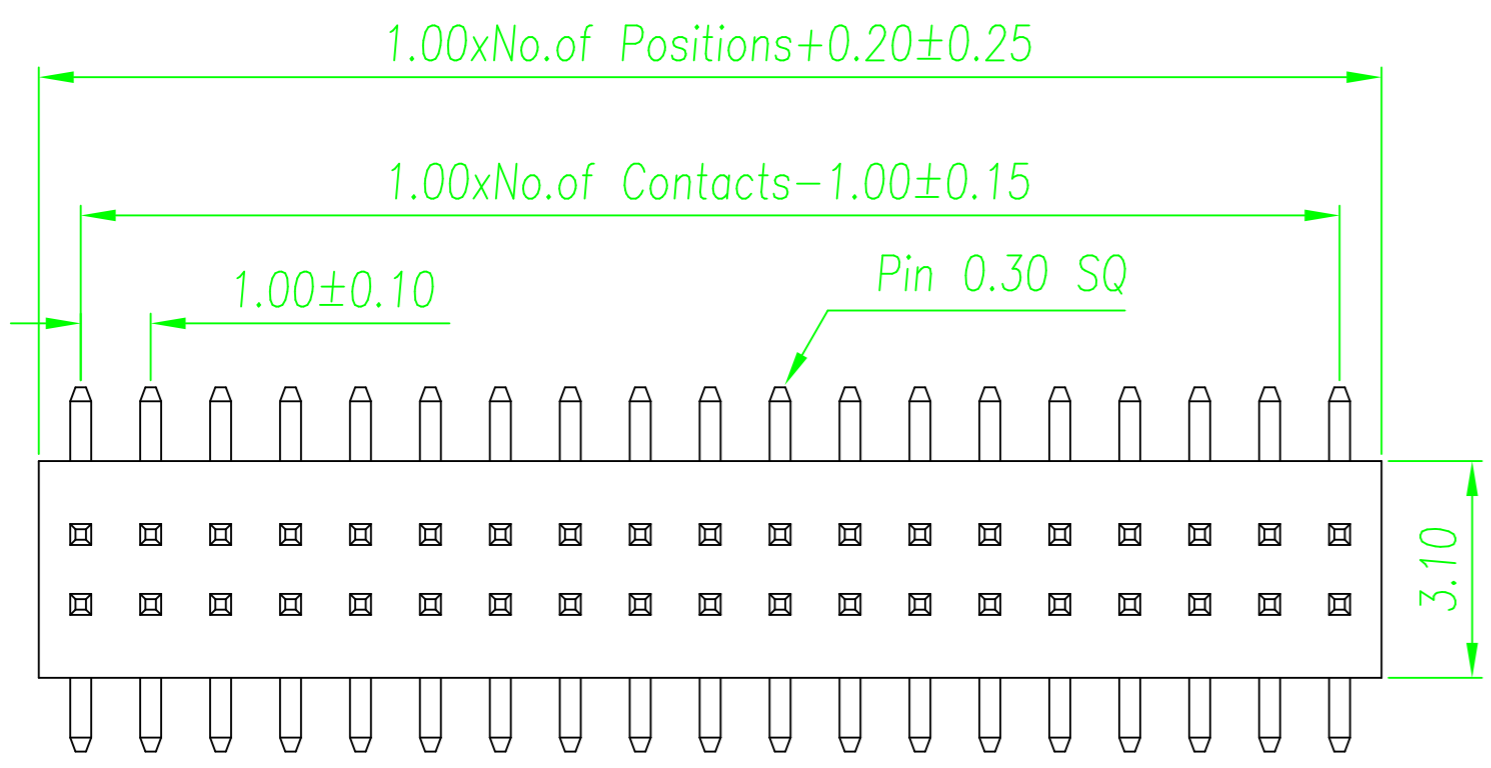


REV.	DESCRIPTION	DATE



**Specifications**  
 Current Rating: 0.5Amp  
 Insulation Resistance: 500M ΩMin.  
 Dielectric Withstanding: 200VAC  
 Contact Resistance: 20mΩ Max.  
 Operating Temperature:-40°C to +105°C  
 Max Process Temp:230°C for 30~60 sec.

**Materials**  
 Contact Material: Phosphor Bronze  
 Insulator Material: Polyester, UL 94V-0 PA6T  
 All materials must be Geron materials

### Ordering Information

GRA32 - XX XX ZS001

No. of Pins per Row  
02~40

Contact Plating  
 01=Tin  
 02=Gold Flash  
 Duplex Plating  
 05=Gold Flash/Tin  
 ...

RECOMMENDED P.C.BOARD LAYOUT

GERON ELECTRONIC CO.,LTD

GERON ELECTRONIC CO.,LTD					GENERAL TOLERANCE		DESIGN:	DRAWN	DATE:	DATE	DWG. NO.	TITLE.	
REV.	REV.	UNIT.	UNIT	SCALE.	SCALE	⊕	X.° ± X.°	X. ± .X	CHECKED:	DATE:	DWG.NO.	TITLE1	
							.X° ± X.	.X ± .X	AUDITED:	DATE:	PART NO.	TITLE2	
							.XX° ± XX.	.XX ± .XX	APPROVED:	DATE:	PART.NO.	TITLE3	
							.XXX° ± 0.5°	.XXX ± .XXX					