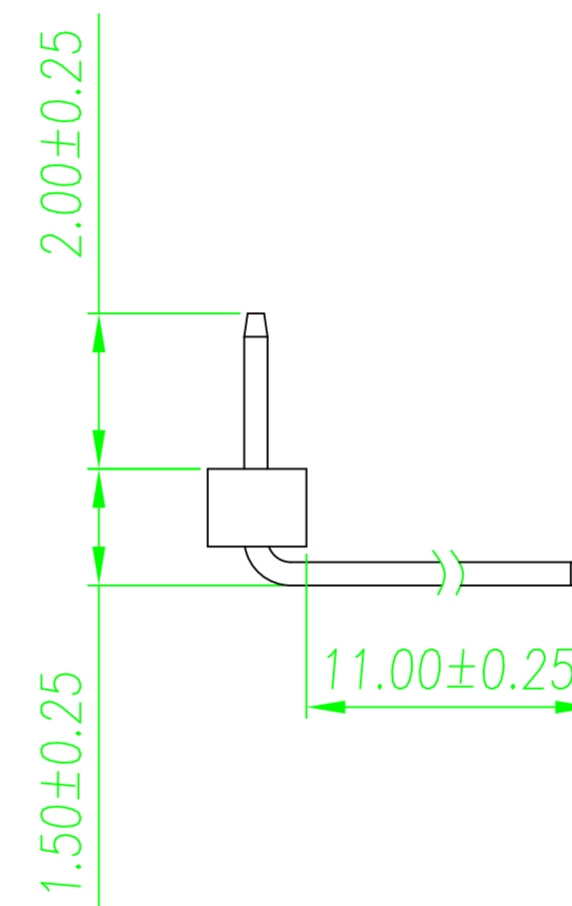
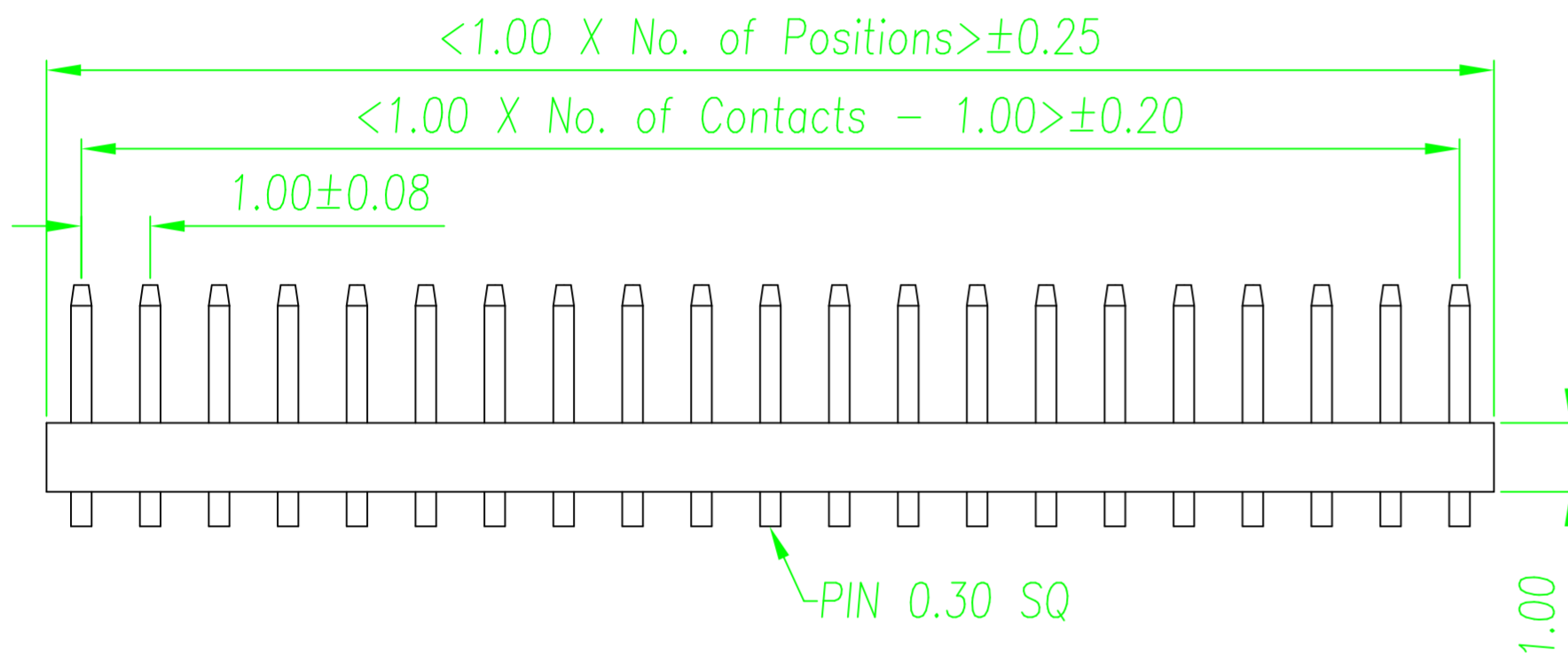
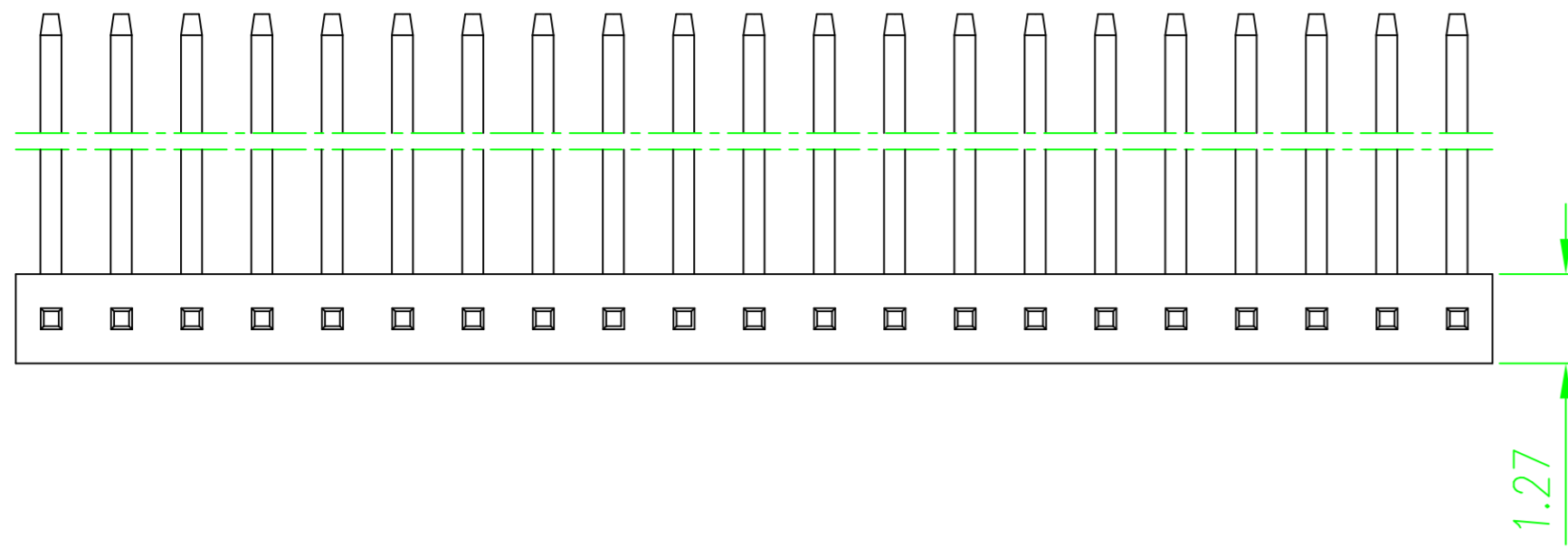


REV.	LOCAS.	DESCRIPTION	DATE	DRAWN
A	NEW	INITIAL RELEASE.	2011.11.20	ZHOU



Specifications

Current Rating: 0.5Amp
 Insulation Resistance: 500MΩ Min.
 Dielectric Withstanding: 300VAC
 Contact Resistance: 20mΩ Max.
 Operating Temperature: -40°C to +105°C

Materials

Contact Material: Phosphor Bronze
 Insulator Material: Polyester, UL 94V-0 PA6T
 All materials must meet Geron requirement for environment protection

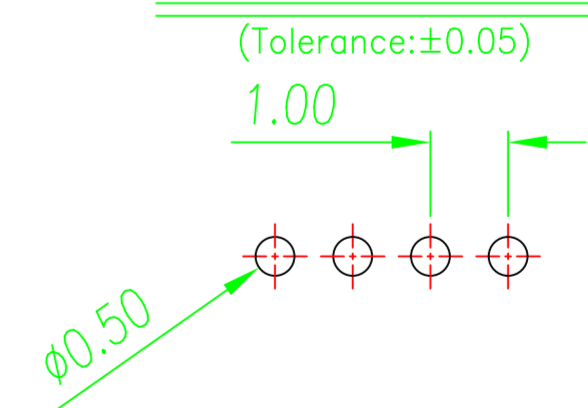
Ordering Information

GRA31 - XX XX W01

No. of Pins per Row: 02~40

Contact Plating:
 01=Tin
 02=Gold Flash Standard
 05=Gold/TIN

Recommended P.C.B.Layout



Geron Electronic Co.,Ltd

GENERAL TOLERANCE

X.° ± 5°	X. ± 0.30
.X° ± 3°	.X ± 0.25
.XX° ± 2°	.XX ± 0.15
.XXX° ± 1°	.XXX ± 0.10

DESIGN: ZHOU

CHECKED: WU

AUDITED: MEI

APPROVED: YANG

DATE: 2011.11.20

DATE: 2011.11.20

DATE: 2011.11.20

DATE: 2011.11.20

DWG. NO.

GRA31-W01

PART NO.

GRA31-XX-XX-W01

TITLE.

PITCH 1.00
 SINGLE ROW PIN
 HEADER

REV.	UNIT.	SCALE.	PAGE.
A	mm	5:1	1/1

