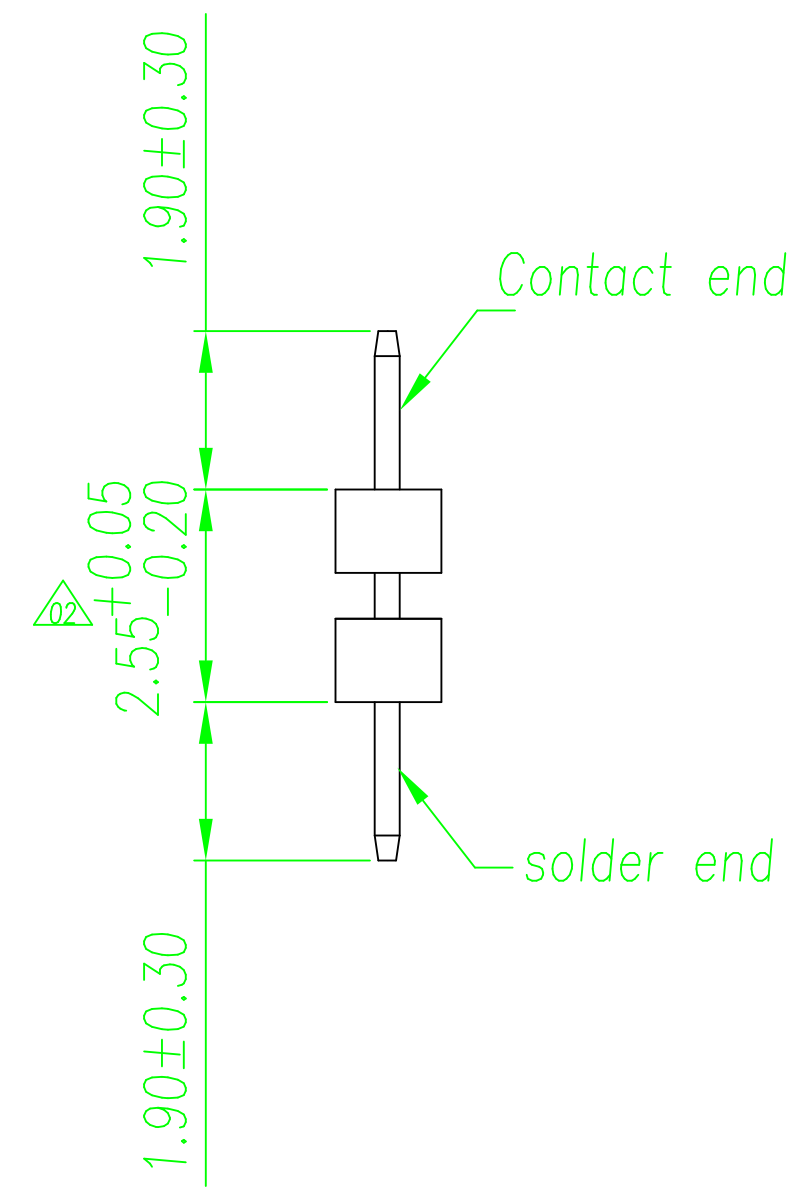
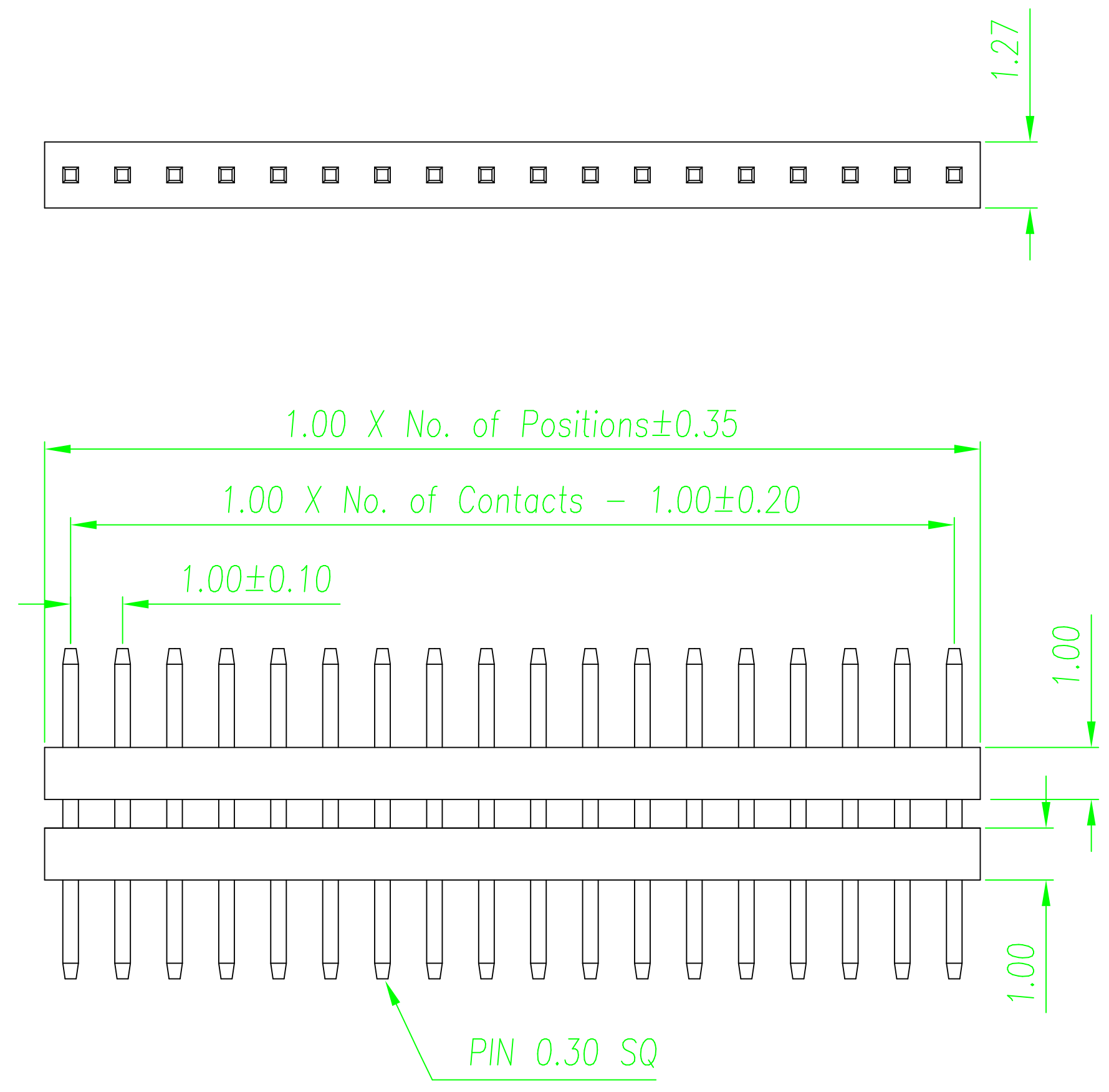


REV.	DESCRIPTION	DATE
02	2.55+0/-0.10-->2.55+0.05/-0.20	XIAO PING 2011.11.20



Specifications
 Current Rating: 1Amp
 Insulation Resistance: 500MΩ Min.
 Dielectric Withstanding: 600V AC
 Contact Resistance: 20mΩ Max.
 Operating Temperature: -40°C to +105°C

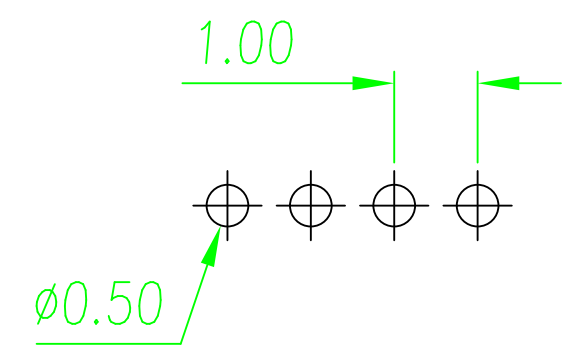
Materials
 Contact Material: phosphor bronze
 Insulator Material: Polyester, UL 94V-0
 NYLON 6T
 All materials must be Geron materials

Ordering Information

GRA31 - XX XX Z01-2

No. of Pins per Row: 02~40
 Contact Plating:
 01=Tin
 02=Gold Flash Standard
 05=Gold/TIN

Recommended P.C.Board
 Hole Layout



Geron Electronic Co.,Ltd

GENERAL TOLERANCE		DESIGN:	DATE:	DWG. NO.	TITLE.
X.° ± 5°	X. ±	XIAO PING	2011.11.20	GRA31-Z01-2	
.X° ± 2°	.X ± 0.38	CHECKED:	DATE:	PART NO.	
.XX° ± 1°	.XX ± 0.25	AUDITED:	DATE:	GRA31-XX-XX-Z01-2	
.XXX° ± 0.5°	.XXX ± 0.13	APPROVED:	DATE:		

REV.	UNIT.	SCALE.
02	mm	1:1