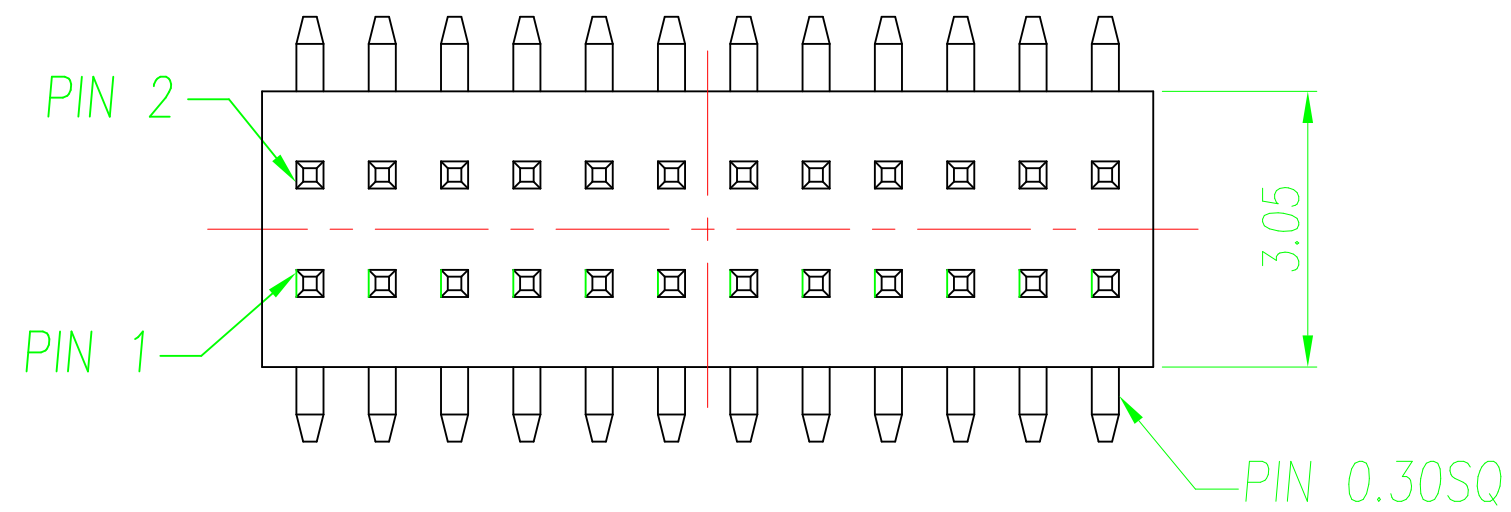


REV.	LOCAS.	DESCRIPTION	DATE	DRAWN
01		INITIAL RELEASE.	2011.11.20	zhou



### Specifications

Current Rating: 0.5 Amp

Insulation Resistance: 1000MΩ Min at DC 500V

Dielectric Withstanding: 300V AC for one minute

Contact Resistance: 20mΩ Max.

Operating Temperature: -40°C to +105°C

### Materials

Contact Material: Brass

Insulation Material: Polyester, UL 94V-0

Nylon 9T

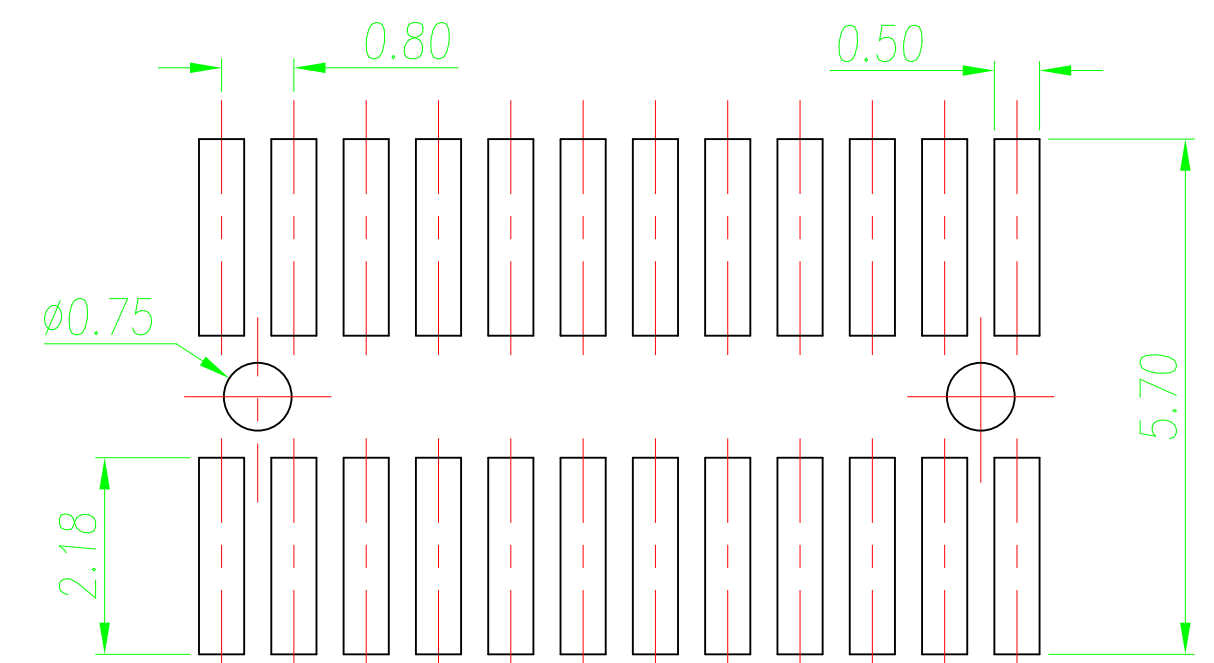
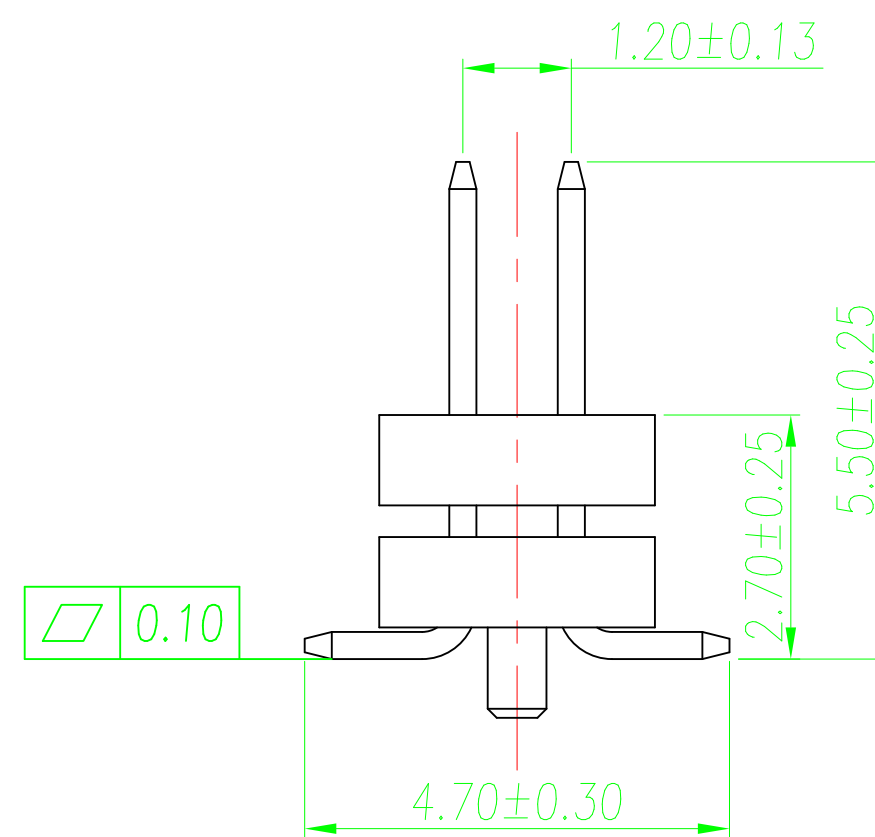
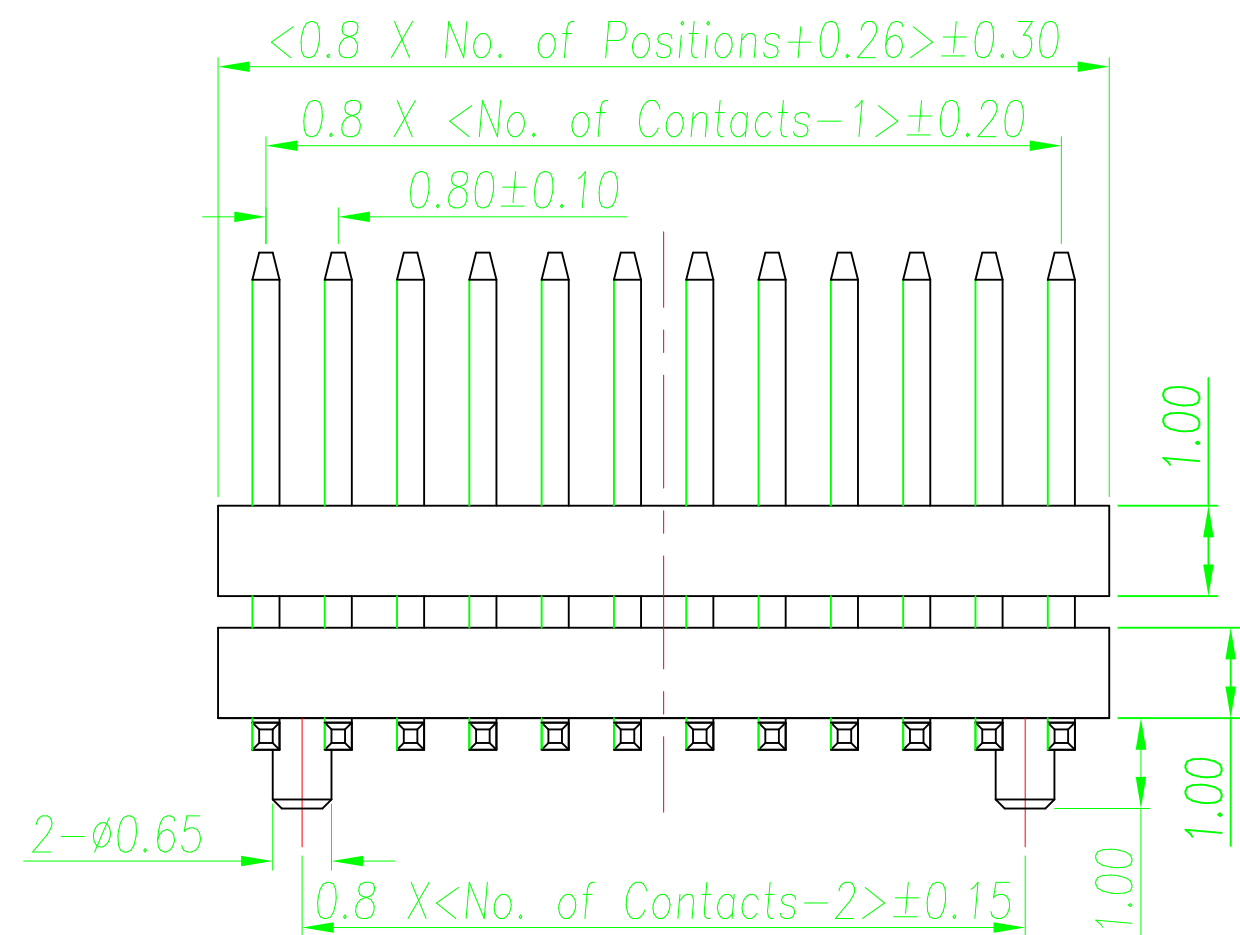
All the materials must be Geron materials

### Ordering Information

GRA22 - XX XX ZS22

No. of Pins per Row  
03-50

Contact Plating  
01=Tin  
02=Gold Flash Standard  
Duplex Plating  
05=Gold Flash/Tin  
...



Recommended P.C.B Layout  
(Tolerance: ±0.05)

**Geron Electronic Co.,Ltd**

#### GENERAL TOLERANCE

X.° ± 5° X. ± 0.30

.X.° ± 3° .X ± 0.25

.XX° ± 2° .XX ± 0.15

.XXX° ± 1° .XXX ± 0.10

DESIGN: zhou

DATE: 2011.11.20

CHECKED:

DATE:

AUDITED:

DATE:

APPROVED:

DATE:

DWG. NO.

GRA22-ZS022

PART NO.

GRA22-XX-XX-ZS022

TITLE.

0.8 PIN MALE HEADER  
DUAL ROWS SMT TYPE  
CONNECTOR

REV.	UNIT.	SCALE.	PAGE.
01	mm	6:1	1/1

