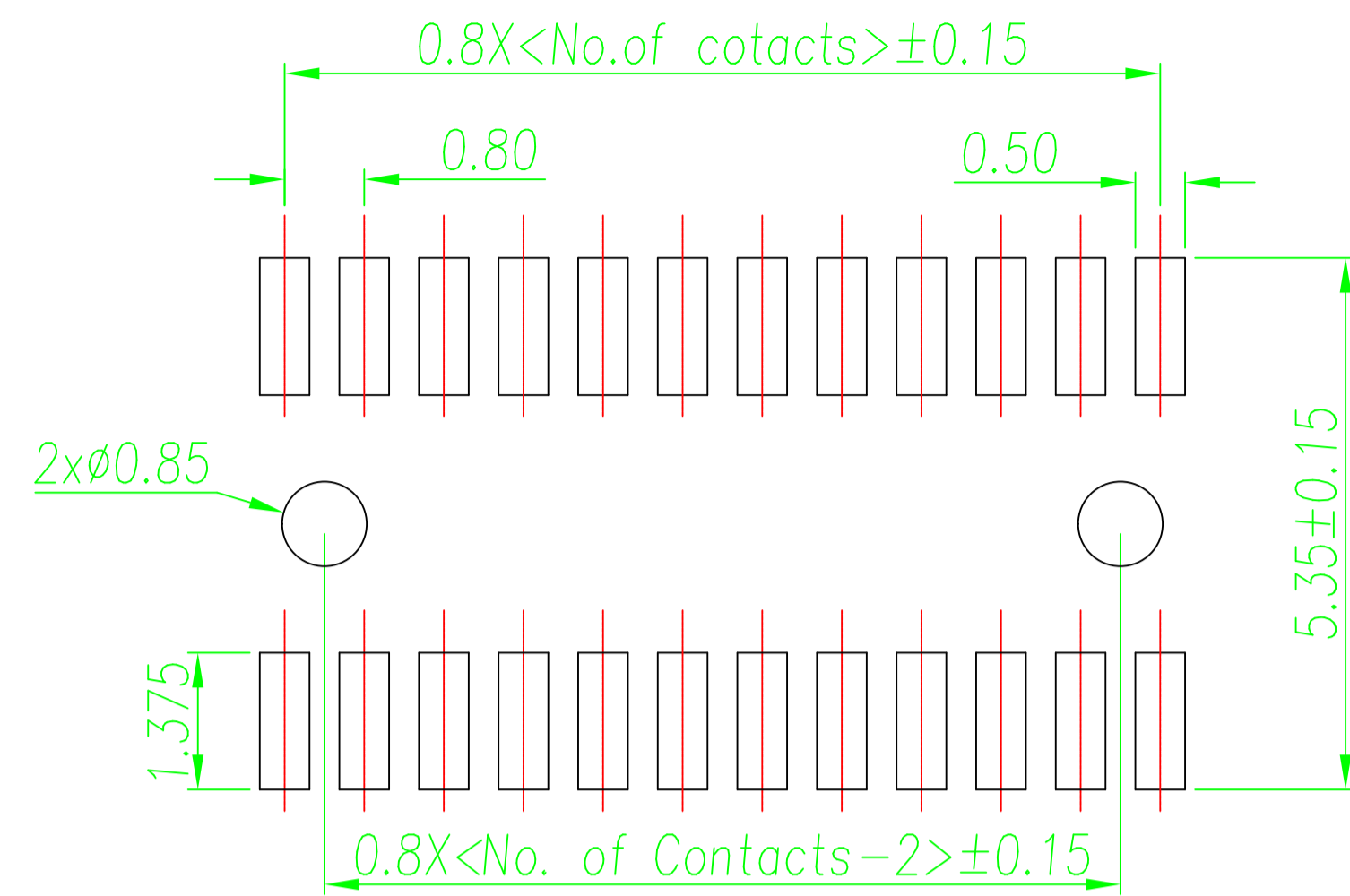
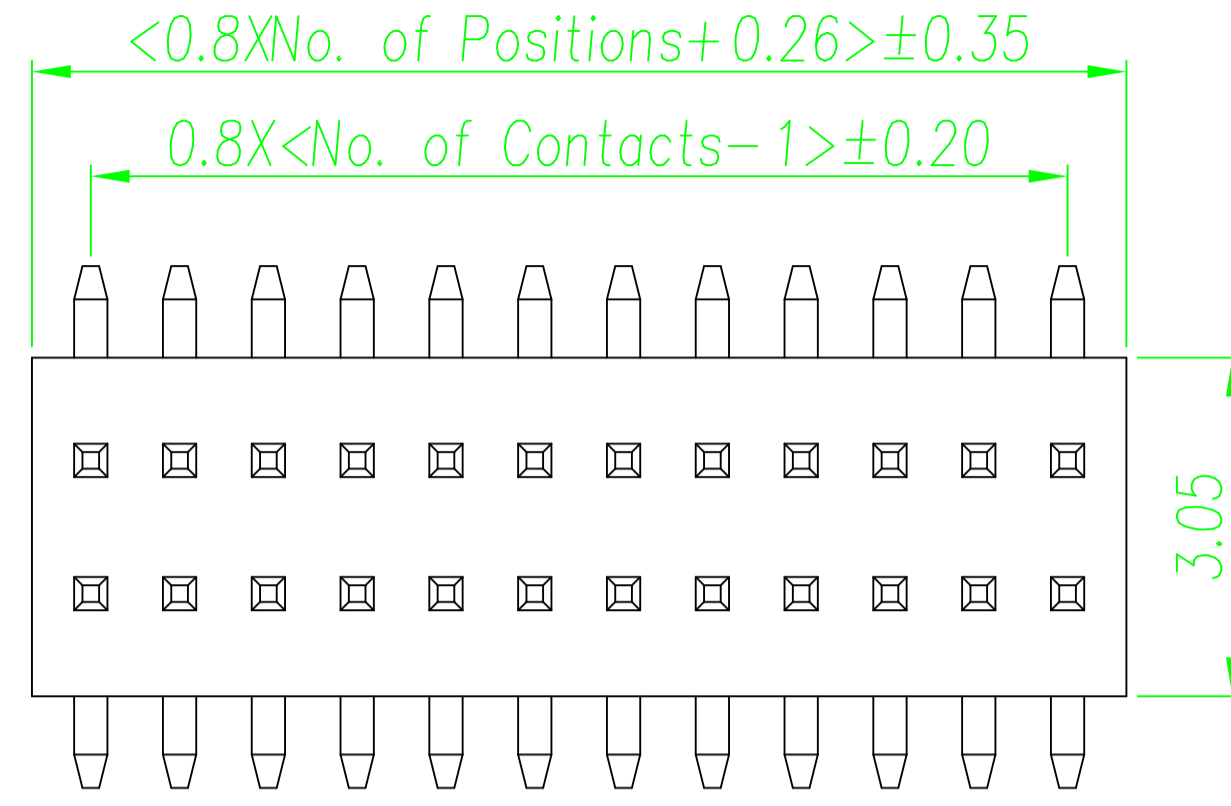


REV.	LOCAS.	DESCRIPTION	DATE	DRAWN
A	NEW	INITIAL RELEASE.	2011.11.20	PI HONG BIN
B	⚠	因之前料號與同系列規格相沖突故變更其料號	2011.11.20	zhou



Recommended P.C.B Layout

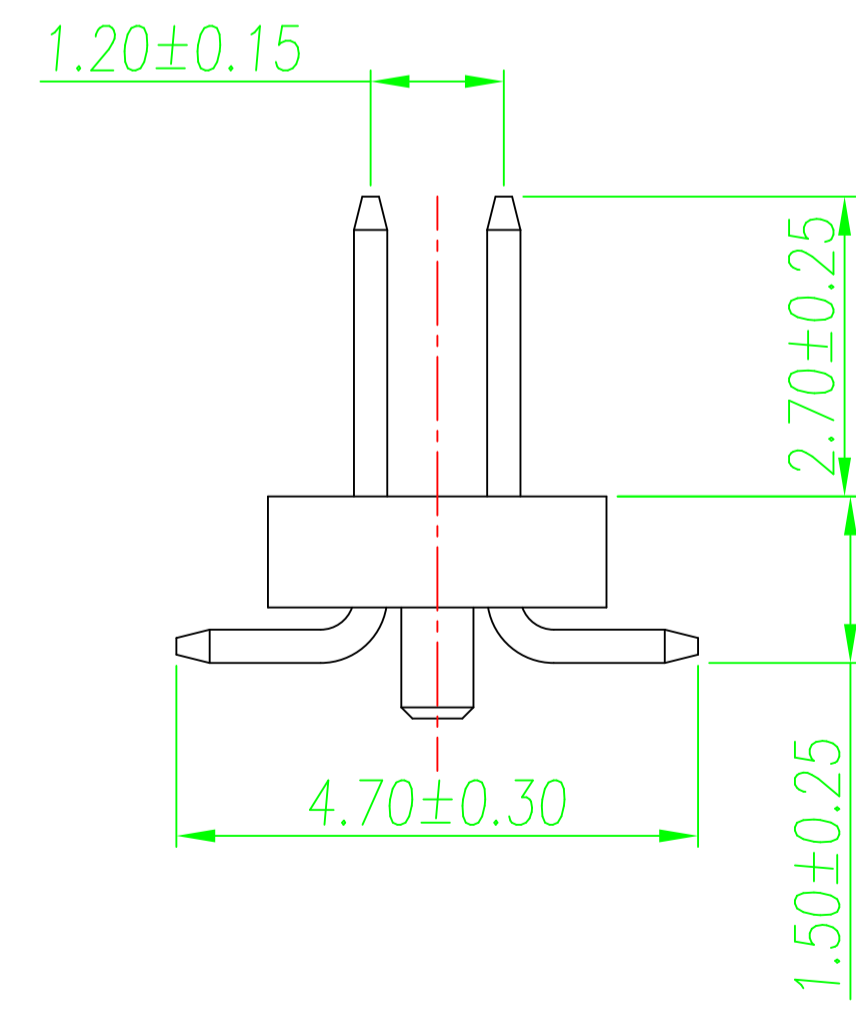
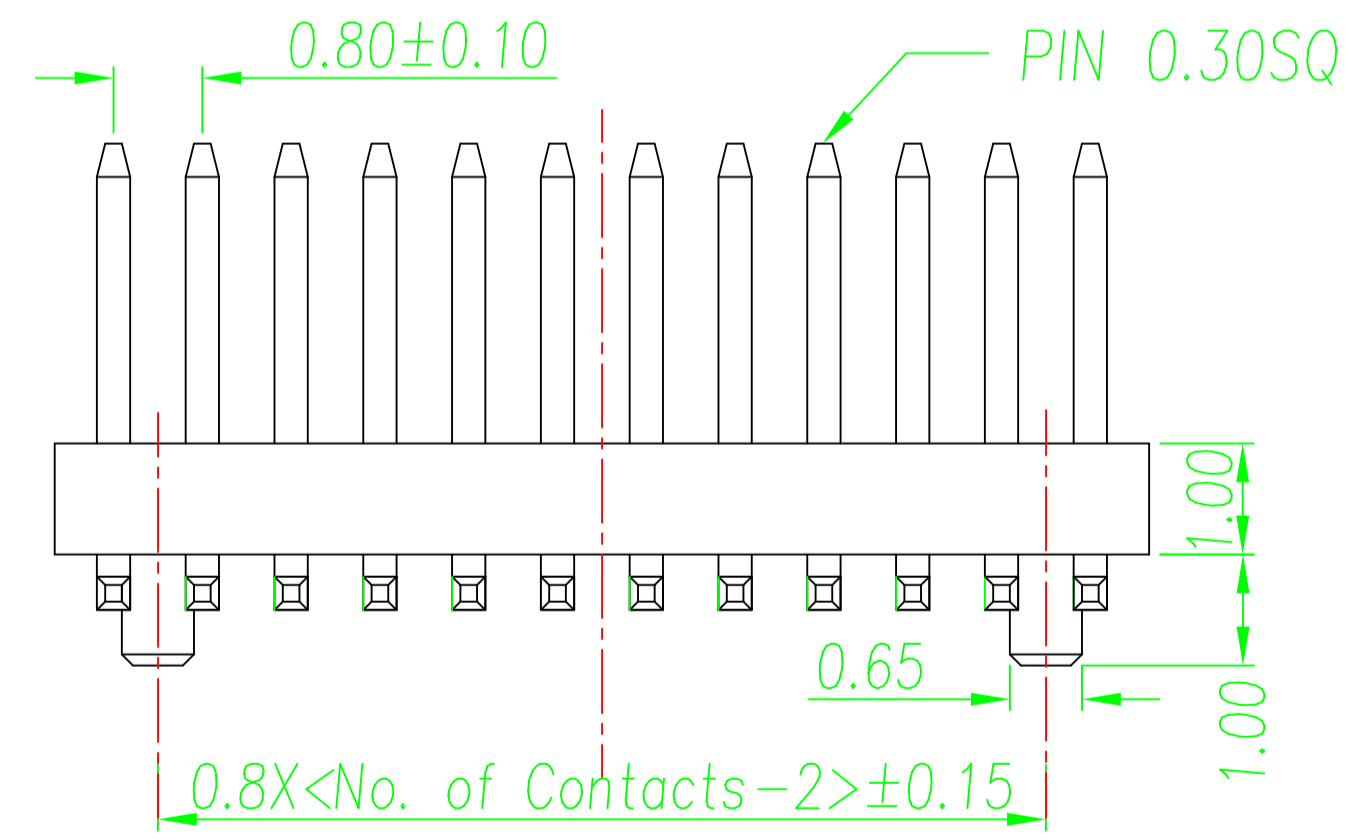
Specifications

Current Rating: 0.5 Amp  
 Insulation Resistance: 1000M Min at DC 500V  
 Dielectric Withstanding: 300V AC for one minute  
 Contact Resistance: 20mΩ Max.  
 Operating Temperature: -40°C to +105°C

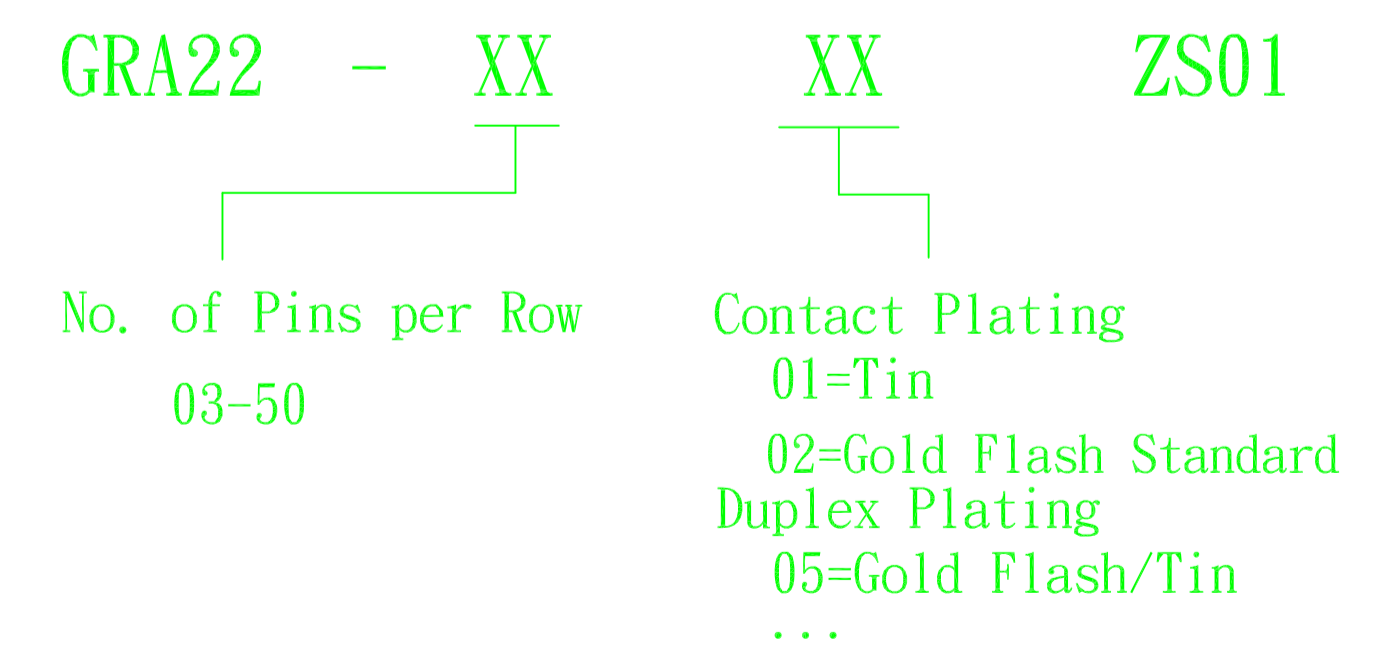
Materials

Contact Material: Phosphor Bronze  
 Insulation Material: Polyester, UL 94V-0  
 Nylon 6T

All materials must be Geron materials



Ordering Information



GERON ELECTRONIC CO.,LTD

GENERAL TOLERANCE	
X.° ± 5.0°	X. ± 0.30
.X.° ± 3.0°	.X ± 0.25
.XX° ± 2.0°	.XX ± 0.15
.XXX° ± 1.0°	.XXX ± 0.10

DESIGN: zhou	DATE: 2011.11.20
CHECKED:	DATE:
AUDITED:	DATE:
APPROVED:	DATE:

DWG. NO.	GRA22-ZS01 ⚠
PART NO.	GRA22-XX XX ZS01 ⚠

TITLE:  
 0.8 PIN HEADER  
 DUAL ROWS SMT TYPE  
 BASE 1.00 H

REV.	UNIT.	SCALE.	PAGE.
B	mm	1:1	1/1